

DOOSAN

Construction Equipment

DX800LC-5B

Engine Power	SAE J1349, net 354 kW (481 PS) @ 1,800 rpm
Operational Weight	76,900 ~ 78,500 kg
Bucket Capacity (SAE/PCSA)	3.42 ~ 5.58 m ³



PEERLESS STRENGTH AND STEADINESS,
OUR COMMITMENT TO YOUR SUCCESS

DX800_{LC-5B}



The DX800LC-5B is designed for maximum productivity with outstanding performance, durability and surprisingly high fuel efficiency. Serving as your reliable partner, it enables you to work in harsh mining environments where avoiding downtime is critical.

* Above image may differ from actual product.

BUILT WITH QUALITY-PROVEN MAIN COMPONENTS AND DURABLE DESIGN FOR MINIMIZED DOWNTIME

QUALITY-PROVEN MAIN COMPONENTS

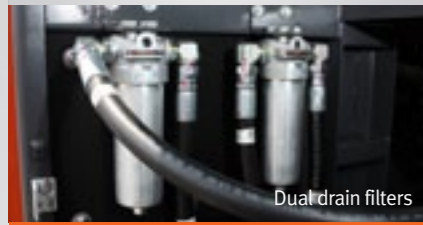
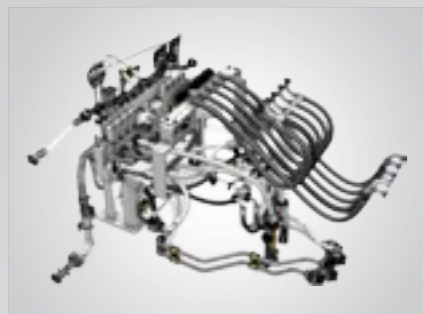
Manufactured with the finest quality main components customized precisely for large equipment, this new machine offers the Best-in-Class power and durability.



A SWING MOTOR

B MCV

C MAIN PUMP



Dual drain filters

PROTECTED HYDRAULIC SYSTEM



D ENGINE

TOTALLY REDESIGNED STRUCTURE

Doosan offers a newly upgraded design specifically for mining operations, keeping your excavator running at all times in rugged harsh environments.



NEW HEAVY DUTY FRONT

HEAVY DUTY UNDERCARRIAGE

UPPER STRUCTURE

* Above image may differ from actual product.

BUILT WITH QUALITY-PROVEN MAIN COMPONENTS AND DURABLE DESIGN FOR MINIMIZED DOWNTIME

QUALITY-PROVEN MAIN COMPONENTS

Manufactured with the finest quality main components customized precisely for large equipment, this new machine offers the Best-in-Class power and durability.



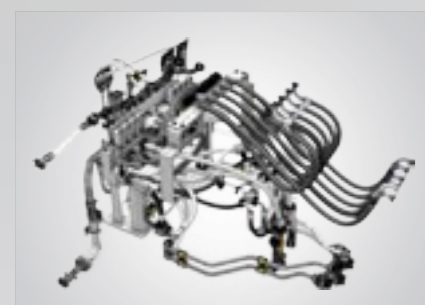
A SWING MOTOR



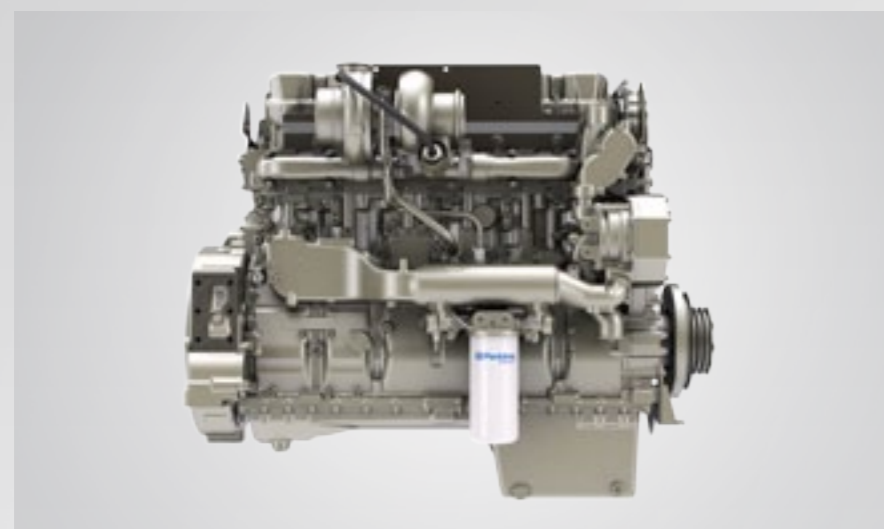
B MCV



C MAIN PUMP

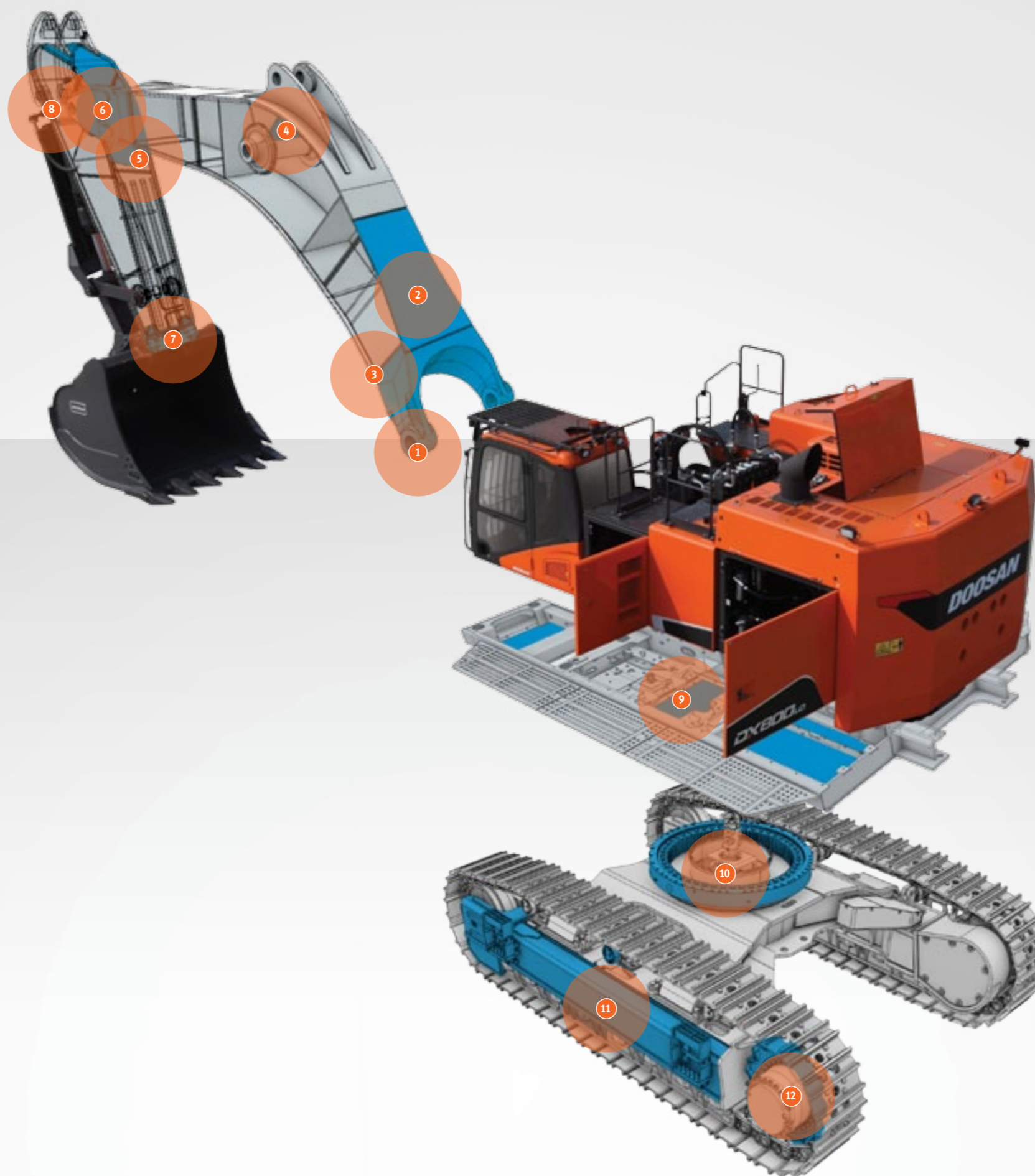


PROTECTED HYDRAULIC SYSTEM



D ENGINE

Dual drain filters



NEW HEAVY DUTY FRONT

The significantly improved performance of the boom and arm of the DX800LC-5B has considerably enhanced the overall durability of the machine.

BOOM IMPROVEMENT

- 1 Boom foot design changed to increase the pin strength decrease one-side wear of pin.
- 2 Flat steel plate for dispersing machine stress.
- 3 Welding design changed to increase welding part lifetime.
- 4 Inner reinforce plate changed for dispersing stress.

ARM IMPROVEMENT

- 5 Bottom steel plate of arm changed to increase strength of arm structure.
- 6 Arm center boss changed to lower stress.
- 7 Arm welding design changed to decrease stress.
- 8 Diameter of pin increased (130 \varnothing ▶ 140 \varnothing) to increase pin strength.

UPPER STRUCTURE



9 HEAVY DUTY UNDER COVER

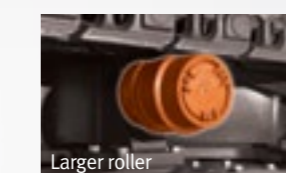


10 CROSSED ROLLER SWING BEARINGS
Crossed roller bearings make your machine more operable with longer life.

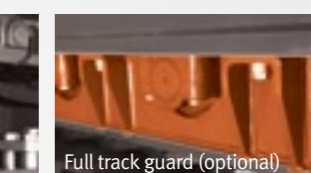
HEAVY DUTY UNDERCARRIAGE



Enhanced frame



Larger roller



Full track guard (optional)

11 REINFORCED UNDERCARRIAGE

Our heavy duty undercarriage further increases durability of your machine.



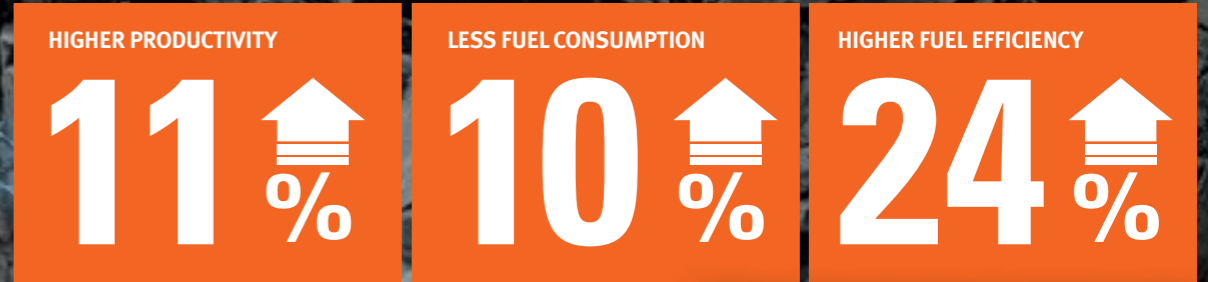
12 HEAVY-DUTY SPROCKET



MAXIMUM PRODUCTIVITY

DX800LC-5B

THE NEW ENGINE AND INTELLIGENT HYDRAULIC SYSTEM DELIVER THE BEST-IN-CLASS PRODUCTIVITY.



This figure is the internal test vs. the previous model.



NEW ENGINE WITH ENHANCED POWER AND RELIABILITY

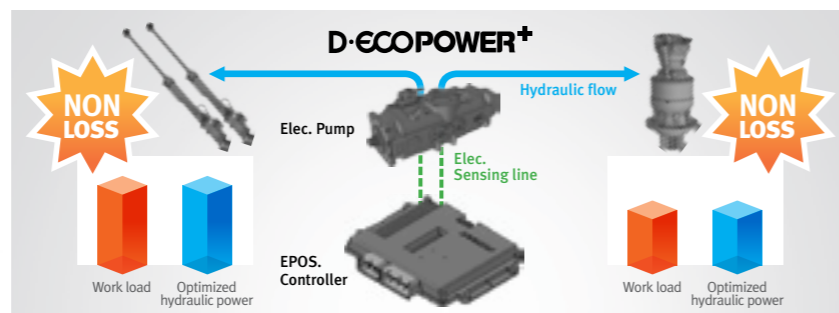
Manufactured in a world-class facility for reliability and durability, the DX800LC-5B engine ensures many years of productive life to keep your machine running efficiently and effectively even under the toughest jobsite conditions. Along with this, it allows you to maintain your machine at a low cost throughout its lifetime with features that minimize service costs combined with low fluid consumption.



* Above image may differ from actual product.

THE MOST ADVANCED HYDRAULIC SYSTEM (D-ECOPOWER+)

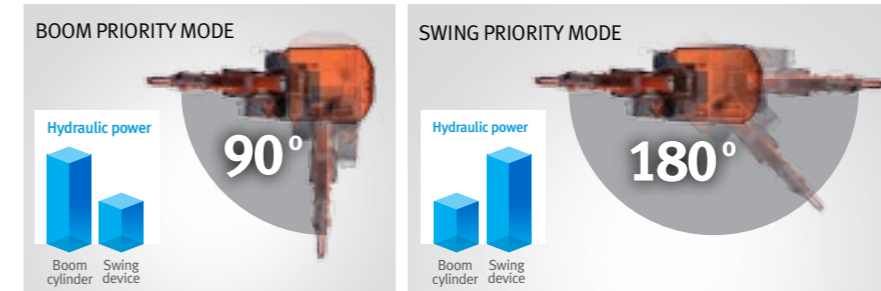
This new electronic main pump accurately calculates the amount of pump flow required for each actuator, thereby maximizing productivity (faster operation) and avoiding unnecessary fuel loss.



SELECTABLE OPERATING MODES OPTIMIZED FOR VARIOUS WORK ENVIRONMENTS

Boom/Swing Priority Control

Allows you to control operating modes with just one button and provides optimized level, resulting in a more comfortable and productive operation.



FUEL-SAVING TECHNOLOGIES

Smart Power Control (SPC)

Allows your machine to provide optimized control for engine speed and torque simply with this one button based on different workloads, resulting in significant improvements in fuel efficiency by reducing unnecessary fuel consumption.



Highly Efficient Cooling System

Enjoy greater cooling speed and capacity with a larger cooling device (radiator / oil cooler).





EXCELLENT COMFORT AND SAFETY

DX800LC-5B

SAFETY COMES IN FIRST WITH ENHANCED SAFETY FEATURES

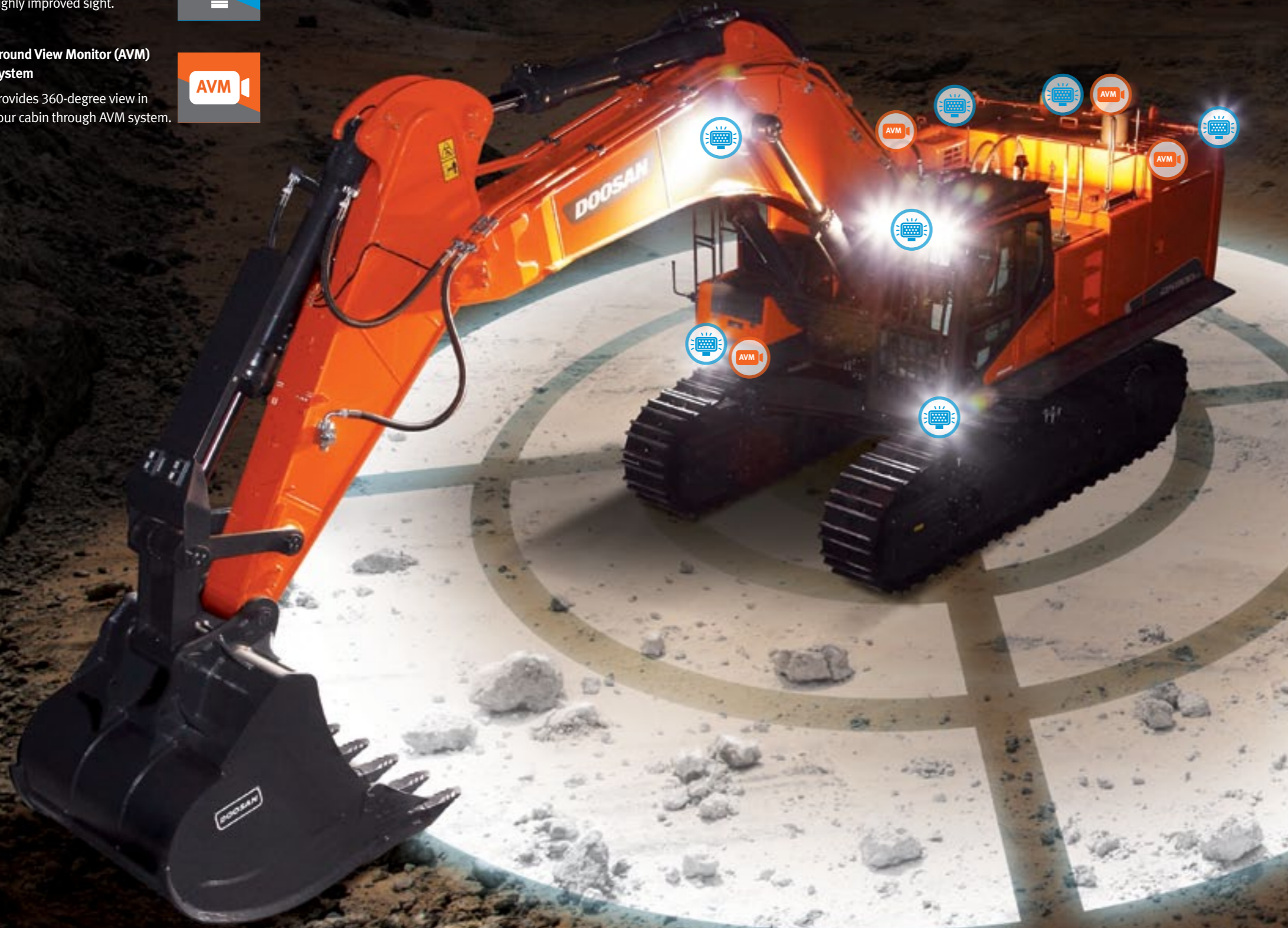
LED Work Lights

More productive at night with highly improved sight.



Around View Monitor (AVM) System

Provides 360-degree view in your cabin through AVM system.



LED WORKING LAMP

More productive at night with highly improved sight.



AROUND VIEW MONITOR (AVM) SYSTEM

Provides 360-degree view in your cabin through AVM system.

AIR COMPRESSOR

Air gun in your cabin helps you to keep clean and comfortable ambience.



ANTI-HOSE BURST PROTECTION SYSTEM

This newly equipped Anti-Hose Burst Valve is to prevent secondary accidents resulting from boom/arm down that may be caused by a sudden hose burst.

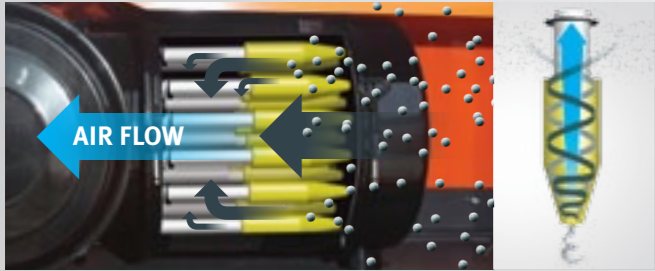
* Above image may differ from actual product.



CONVENIENT MAINTENANCE

DX800LC-5B

WE OFFER EASY, BREEZY MAINTENANCE SYSTEM THAT CAN ALSO PREVENT DOWNTIME OF YOUR MACHINE.



HEAVY DUTY AIR CLEANER

Stop dust and contaminated particles, 2 stage air cleaner, easy to maintain, prevent machine down.

COLD WEATHER PACKAGE (OPTIONAL)

Engine coolant heater is available as an option for better cold cranking performance.



ELECTRIC FUEL TRANSFER PUMP (ETP)

Use this switch to easily refill fuel for your machine after its inspection or repair.



CENTRALIZED FUEL FILTRATION SYSTEM

Water separator, pre-fuel filter and main filter are grouped together to increase engine life and prevent machine failures, making machine inspection or maintenance much easier with one simple access.

REVERSIBLE FAN

- Rotating cooling fan in reverse direction is possible.
- Able to blow away dust on radiator and oil cooler easily to save time & effort.

WIDE CATWALK

Maintenance is now made easier with catwalk 20% wider than the previous one.

20%



AUTO GREASE SYSTEM (AGS)

This new auto grease filling device to your machine helps reduce maintenance time significantly and avoid unexpected downtime.



* Above image may differ from actual product.

TELEMATICS SERVICE (OPTIONAL)

GLOBAL PARTS NETWORK

TELECOMMUNICATIONS

Data flow from machine to web




TELEMATICS SERVICE TERMINAL

Telematics Service terminal is installed to machine / connected to EPOS™



TELECOMMUNICATION

GPS, EPOS™ data is sent to designated server by GSM, Satellite telecommunication



DOOSAN TELEMATICS SERVICE WEB

Doosan, Dealer, Customer can easily monitor the GPS, EPOS™ data from Core Telematics Service web

BENEFITS

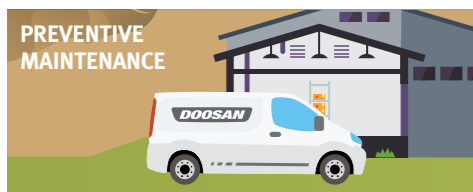
JOB SITE MANAGEMENT



WORK EFFICIENCY MANAGEMENT



PREVENTIVE MAINTENANCE



PROACTIVE SERVICE



FUNCTIONS

Location

- GPS
- Geo-fence



Reports

- Periodic operation report
- Utilization



Operation Trend

- Total operation hour
- Operation hour by mode



Fuel Efficiency*

- Fuel level
- Fuel consumption



Filter & Oil Management

- Preventive maintenance by item replacement cycle



Warning & Alert

- Detect machine warnings
- Antenna disconnection
- Geo/Time fence



* Functions may not be applied to all models. Please contact your sales representative to get more information of the service.

TELEMATICS SERVICE BENEFITS

Customer

- Improve work efficiency
- Timely and preventive service
- Improve operator's skills by comparing work pattern
- Manage fleet more effectively

Dealer

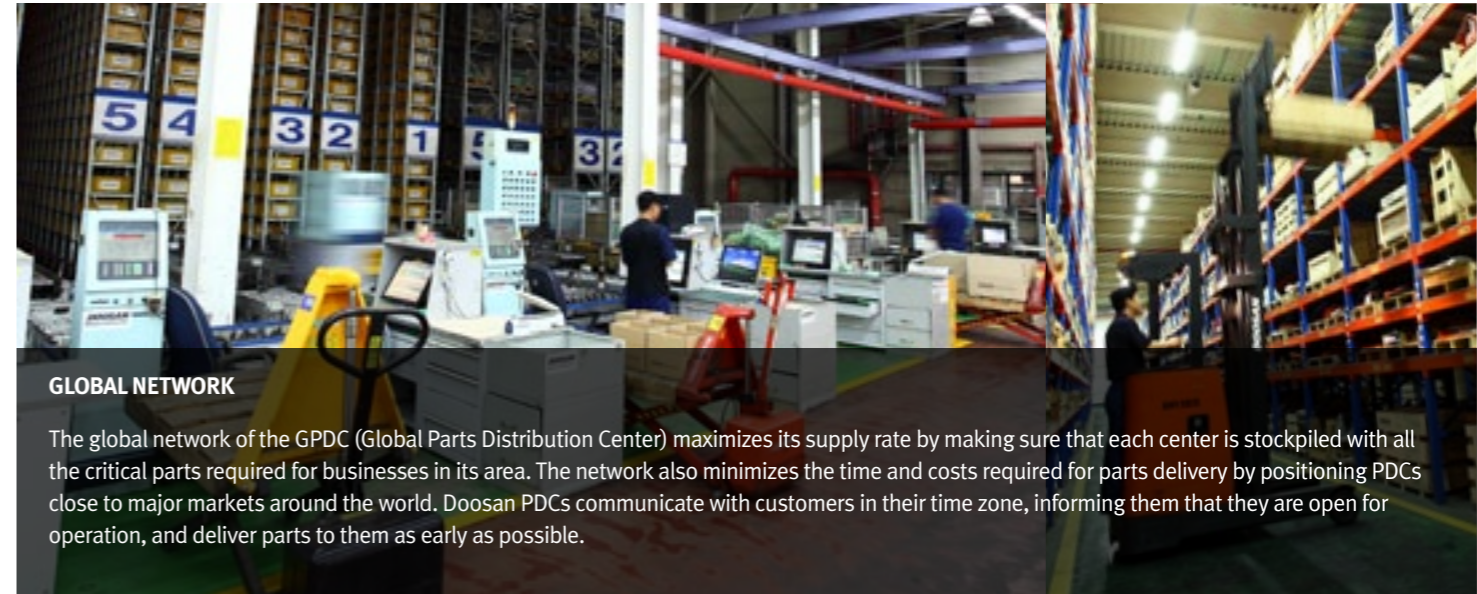
- Better service for customers
- Provide better quality of service
- Maintain machine value
- Better understanding of market needs

Doosan

- Responsive to customer's voice
- Utilize quality-related field data
- Apply customer's usage profile to developing new machine

GLOBAL PDC (PARTS DISTRIBUTION CENTER) NETWORK

Doosan provides fast and precise worldwide delivery of genuine Doosan parts through its global PDC (parts distribution center) network.



GLOBAL NETWORK

The global network of the GPDC (Global Parts Distribution Center) maximizes its supply rate by making sure that each center is stockpiled with all the critical parts required for businesses in its area. The network also minimizes the time and costs required for parts delivery by positioning PDCs close to major markets around the world. Doosan PDCs communicate with customers in their time zone, informing them that they are open for operation, and deliver parts to them as early as possible.

The Global Parts

Distribution Center Network

PDCs had been set up as shown below, including Mother PDC in Ansan, Korea. The eight other PDCs include one in China (Yantai), two in the USA (Chicago and Miami), one in Brazil (Campinas), two in Europe (Germany and the UK), one in the Middle East (Dubai), and one in Asia (Singapore).



PDC BENEFIT

- Distribution Cost Reduction**
- Maximum Parts supply rate**
- Shortest distance/time parts delivery**
- Real-time service support**
- Minimum downtime**

S CLASS (SEVERE DUTY) BUCKET

S CLASS BUCKET is designed for mass excavation in high density severe mining & quarry using high strength and abrasion resistance materials.



Feature & Benefits

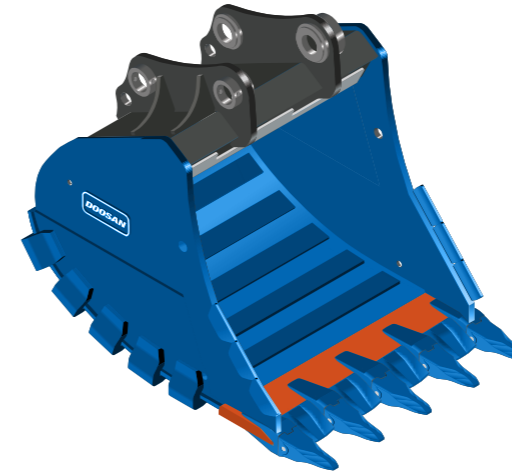
- 4 different size are available.
- Diamond folded section for greater structural strength.
- Overlapping plate for protecting lip plate and increasing strength.
- Optimized shape for high penetration and heel clearance.
- Deep profile for high capacity.
- Low tip radius for greater digging performance.
- Optimized design for genuine Doosan SD (Severe Duty) tooth for durability and productivity.
- Bolt-on dual side shroud design for more durability and protection in severe application.
- Wear pads and bottom section.
- High grade material composition for better durability.
- Used incredible strength with lip plate using 500HBN.
- Used higher abrasion resistance using 400HBN.

- High strength steel
- High abrasion resistant steel
- 500BHN, High abrasion resistant steel

Classification	Model name	Width (mm)	Capacity (m ³)	Lip plate (mm)
DX800LC-5B	S80-1600	1,600	3.75	70
	S80-1700	1,700	4.05	70
	S80-1900	1,900	4.64	70
	S80-2100	2,100	5.24	70

X CLASS (XTREME MINING) BUCKET

X CLASS BUCKET is designed for use in high density mining & quarry application using high strength and abrasion resistance materials. It can be used in the toughest of applications.



Feature & Benefits

- 4 different size are available.
- Diamond folded section for greater structural strength.
- Overlapping plate for protecting lip plate and increasing strength.
- Optimized shape for high penetration and heel clearance.
- Deep profile for high capacity.
- Low tip radius for greater digging performance.
- Optimized design for genuine Doosan SD (Severe Duty) tooth for durability and productivity.
- Added more patches for durability and strength.
 - Diamond folded section wear plate for extra strength.
 - Wear pads and bottom section.
 - Muscle pack heels to increase durability and protect shell from wear.
- High grade material composition for better durability.
- Used incredible strength with lip plate using 500HBN.
- Used higher abrasion resistance using 400HBN.
- Internal wear-strap kit using 400HBN.
- Additional wear parts designed for ease of replacement during bucket maintenance and protecting bucket structure from wear.

- High strength steel
- High abrasion resistant steel
- 500BHN, High abrasion resistant steel

Classification	Model name	Width (mm)	Capacity (m ³)	Lip plate (mm)
DX800LC-5B	X80-1600	1,600	3.75	70
	X80-1700	1,700	4.05	70
	X80-1900	1,900	4.64	70
	X80-2100	2,100	5.24	70

HYDRAULIC BREAKER



Designed for mainly focusing on breaking job. Doosan's focus is to optimize impact power, enhance durability, satisfy customer convenience and maintain easily in order to be faithful to the original function of hydraulic breaker.

Feature & Benefits

- Concrete proven working principle (Oil and gas assist)
- Anti-blank blow system
- Dual Speed Control
- Competitive component counts
- Heavy duty main bracket design
- Maximized life time of dampers and wear plate
- Centralized lubricating System (option)

Model name	Operating weight (kg)	Tool diameter (mm)	Operating pressure (bar)	Flow (l/mm.)		Frequency	
				Min.	Max.	High BPM	Low BPM
DXB700H	6,700	200	165~185	320	420	370~480	280~370

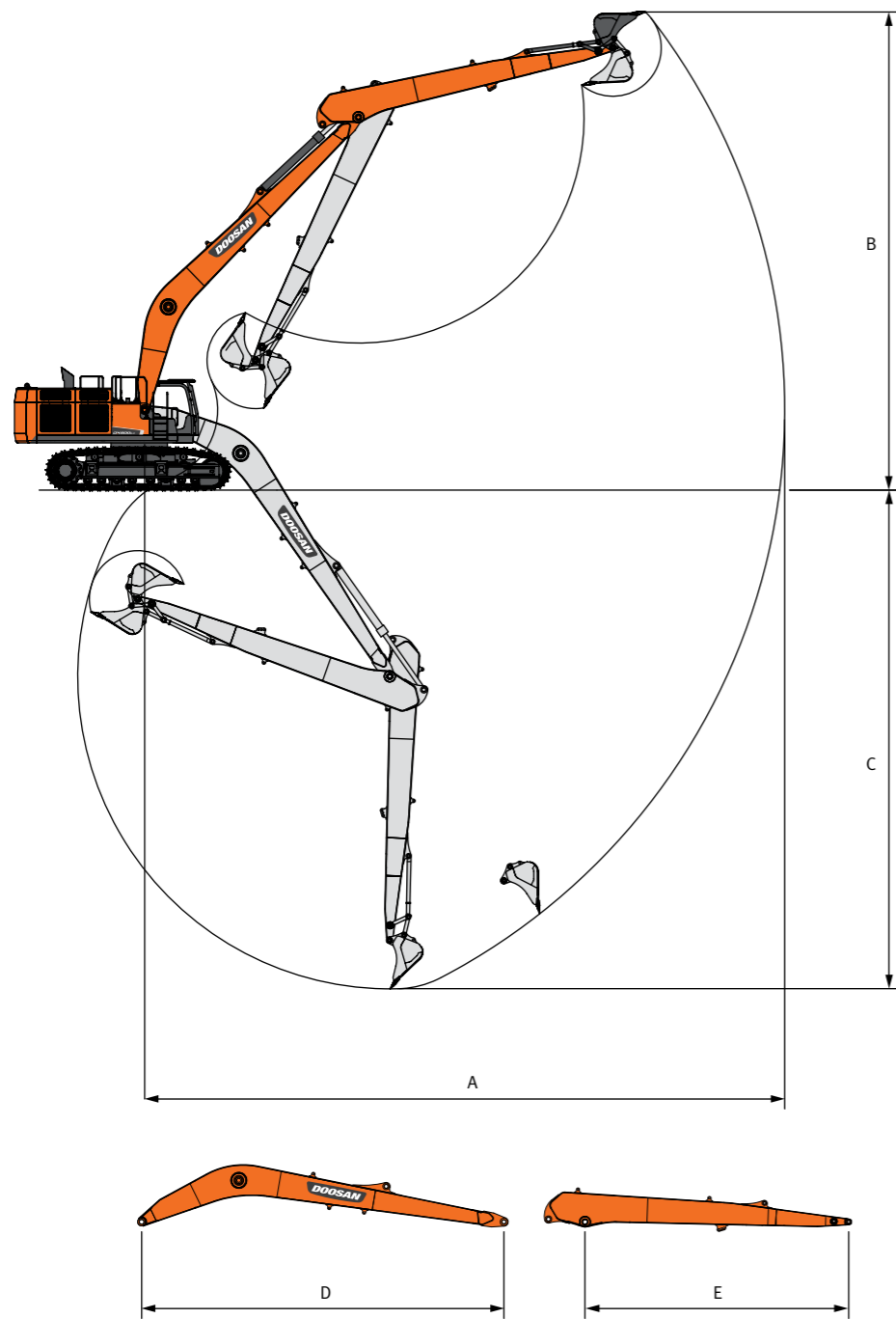


SPECIAL APPLICATION

DX800LC-5B

Doosan provide various solution & various custom job application.

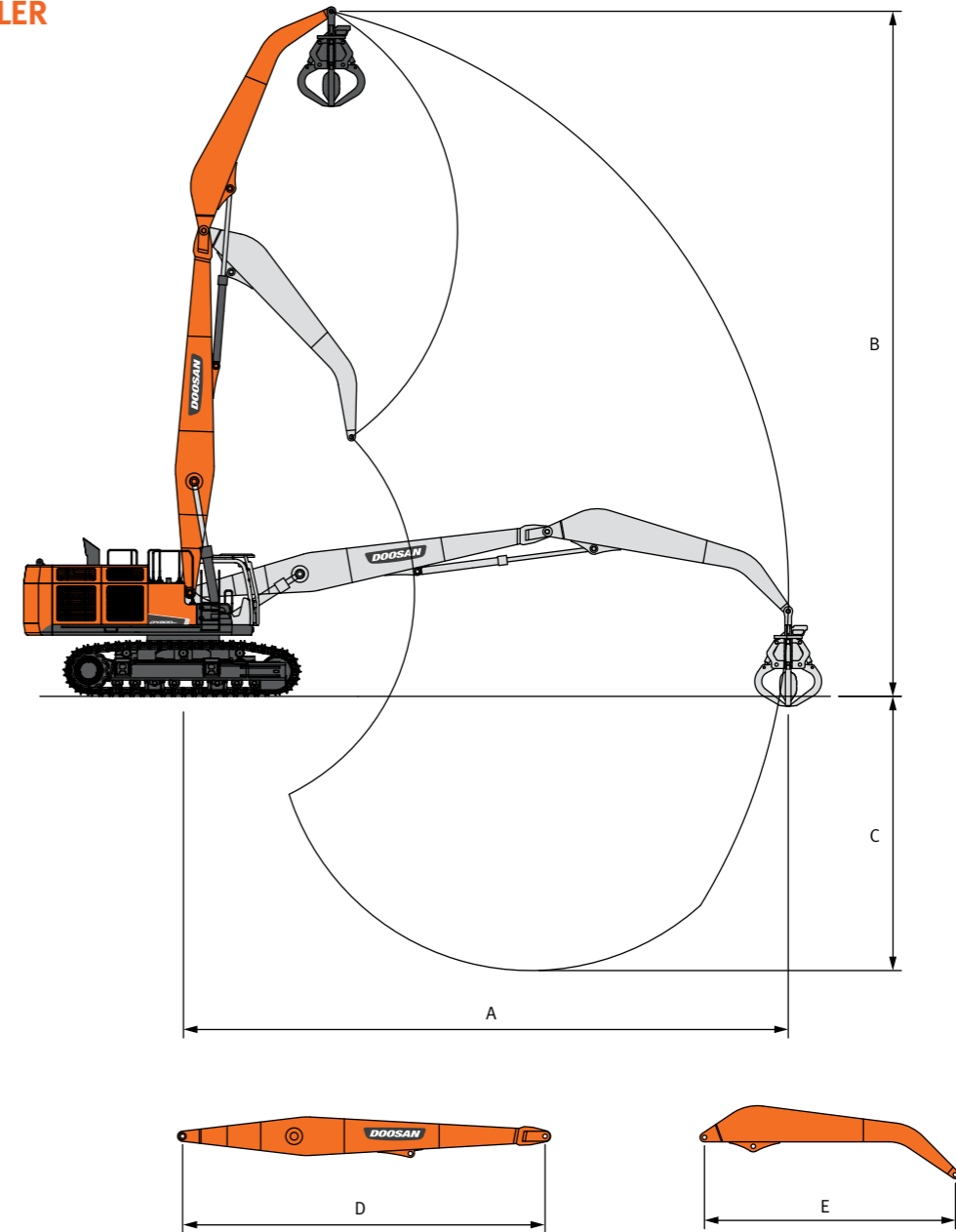
SUPER LONG REACH (SLR FRONT)



WORKING RANGES

Max. Digging Reach	(mm)	A	20,100
Max. Digging Height	(mm)	B	15,600
Max. Digging Depth	(mm)	C	14,450
Boom Length	(mm)	D	11,000
Arm Length	(mm)	E	8,000
Bucket Capacity (SAE/PCSA)	(m ³)	-	1.64
Additional Counterweight	(kg)	-	3,200

MATERIAL HANDLER

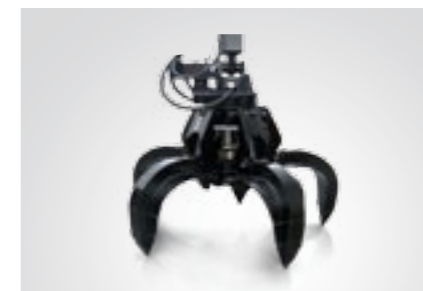


WORKING RANGES

Max. Arm End Reach	(mm)	A	18,240
Max. Arm End Height	(mm)	B	19,850
Max. Arm End Depth	(mm)	C	8,620
Boom Length	(mm)	D	11,000
Arm Length	(mm)	E	7,500
Additional Counterweight	(kg)	-	3,200

MATERIAL HANDLER ATTACHMENTS

Model		Orange Grapple	Clamshell Bucket
		OG50	CB30
Capacity	(m ³)	1.0	1.4



Orange Grapple

is commonly designed for handling scrap iron in wrecking yards or recycling plants and waste in landfill sites. Sometime it also used in building sites for transferring stones.

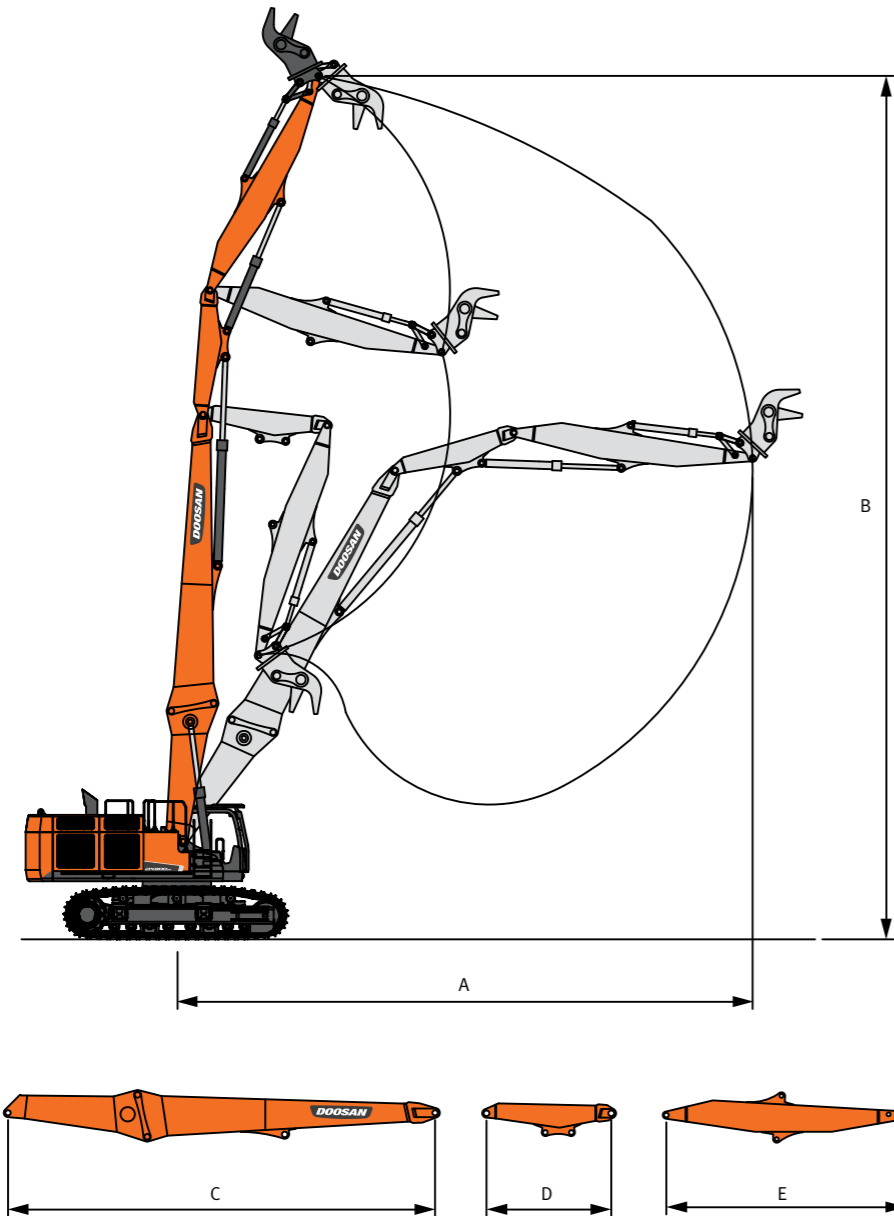


Clamshell Bucket

is commonly used in dredging, excavation or material handling however, each application has its unique characteristics and has to be designed optimally for maximum efficiency.

Doosan provide various solution & various custom job application.

HIGH REACH DEMOLITION



WORKING RANGES

Max. Arm End Reach	(mm)	A	18,000
Max. Arm End Height	(mm)	B	32,900
Boom Length	(mm)	C	17,400
Mid Arm Length	(mm)	D	2,700
End Arm Length	(mm)	E	10,600
Additional Counterweight	(kg)	-	6,000

DEMOLITION ATTACHMENTS

Model	Rotating Crusher	Multi-Processor
	RC34	MP34
Crushing Force	78	101
Opening Width	1,056	980



Rotating Crusher

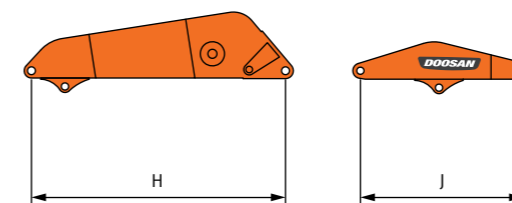
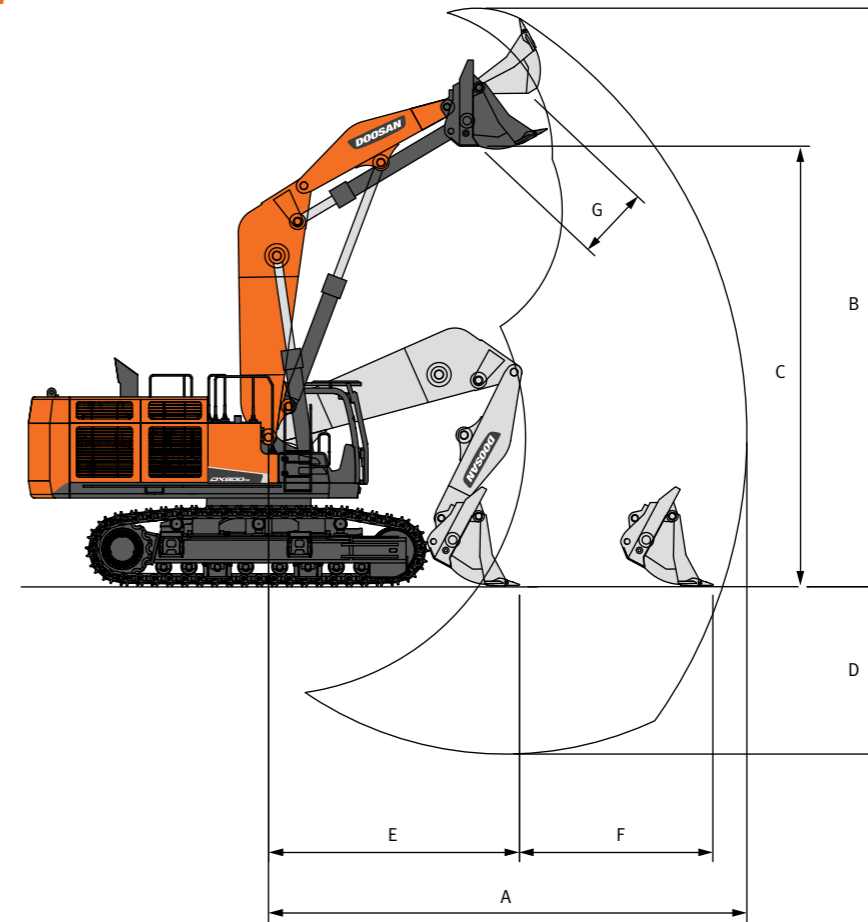
is designed for both primary demolition work and secondary concrete reduction. Especially for secondary demolition, it is ideal for breaking out concrete from fixed structure, pulverizing concrete, separating different materials for recycling, cutting reinforced rods and small steel profile, and working with high reach boom.



Multi-Processor

is designed for all demolition sites by inter-changing jaw sets mounted on a single base unit.

FRONT SHOVEL

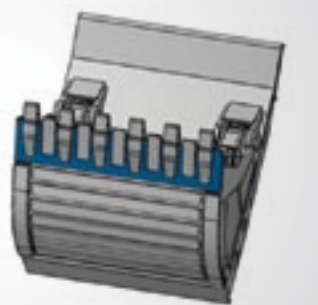


TYPES OF LIP PLATE SHAPE FOCUSED ON PERFORMANCE

Straight shape

Designed for :
Multi purposed digging and loading in almost all of general job site.

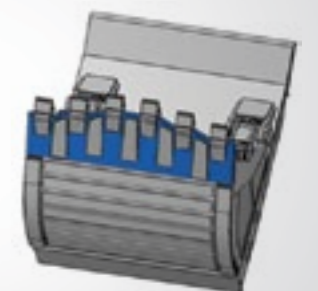
Features & Benefits
Even distributed breakout force on the all bucket tooth.
Especially higher efficiency for normal duty digging and loading.



V-shape

Designed for :
Face or bank loading in mining or quarry applications.

Features & Benefits
Optimized penetration for high resistance material such as blasted rock.
- 150~160° tapered lip plate reduce the penetration resistance.
Increased anti-abrasion life for lip plate.



WORKING RANGES

Max. Digging Reach	(mm)	A	9,400
Max. Digging Height	(mm)	B	11,250
Max. Dumping Height	(mm)	C	8,050
Max. Digging Depth	(mm)	D	4,150
Min. Digging Reach	(mm)	E	5,400
Digging Range On Ground	(mm)	F	3,200
Bucket Opening Width	(mm)	G	1,600
Boom Length	(mm)	H	4,500
Arm Length	(mm)	J	3,000
Additional Counterweight	(kg)	-	3,200

FRONT SHOVEL BUCKET

Duty Type		H-class	S-class	X-class
Capacity	(m ³)	5.0	4.5	4.2

TECHNICAL SPECIFICATIONS

ENGINE

Model
Perkins 2506D Tier3

Type
WATER-COOLED,
MEUI (Mechanically Actuated Electronically Controlled Unit Injector)

Number of cylinders
6

RATED HORSE POWER
354 kW (481 PS) @ 1,800 rpm (SAE J 1995,Gross)
354 kW (481 PS) @ 1,800 rpm (SAE J1349, net)

Max torque
222.1 kgf.m @ 1,400 rpm

Piston displacement
15.2 l

Bore & stroke
∅ 137.2 mm x 171.4 mm

STARTING MOTOR
24 V x 9.0 kW

batteries
24 V (12 V x 2 / 200 AH)

Air cleaner
Double element with precleaner

WEIGHT

Double grouse

Shoe width	Ground pressure	Machine Weight
STD. 650DG mm	1.12 kgf/cm ²	75.5 ton
OPT. 750DG mm	0.99 kgf/cm ²	76.4 ton
OPT. 900DG mm	0.83 kgf/cm ²	77.1 ton

BUCKET (STD. 650DG mm)

Bucket Type	Capacity (m ³) SAE/PCSA	Width (mm)		Radius (mm)	Weight (kg)	6.65m Boom		7.7m Boom	
		W/O Cutter	With Cutter			2.6m Arm	2.9m Arm	2.9m Arm	3.55m Arm
H Class	3.42	1,720	1,720	2,121	3,412	A	A	A	B
	3.68	1,820	1,820	2,121	3,518	A	A	A	B
	4.05	1,720	1,720	2,142	3,727	A	A	B	C
	4.43	1,850	1,850	2,142	3,874	A	A	C	C
	4.64	1,920	1,920	2,142	3,953	A	A	C	D
	5.24	1,910	1,910	2,186	4,187	B	B	D	D
	5.58	2,010	2,010	2,186	4,381	B	C	D	-
S Class	3.75	1,620	N/A	2,146	4,084	A	A	B	C
	4.05	1,720	N/A	2,146	4,208	A	A	C	C
	4.64	1,920	N/A	2,146	4,535	A	B	D	D
	5.24	1,910	N/A	2,190	4,648	B	C	D	-
X Class	3.75	1,650	N/A	2,146	4,294	A	A	B	C
	4.05	1,750	N/A	2,146	4,429	A	A	C	C
	4.64	1,950	N/A	2,146	4,785	A	B	D	D
	5.24	1,940	N/A	2,190	4,964	B	C	D	-

Based on ISO 10567 and SAE J296, arm length without quick change clamp
 A : Suitable for materials with density of 2,100 kg/m³ (3,500 lb/yd³)
 B : Suitable for materials with density of 1,800 kg/m³ (3,000 lb/yd³)
 C : Suitable for materials with density of 1,500 kg/m³ (2,500 lb/yd³)
 D : Suitable for materials with density of 1,200 kg/m³ (2,000 lb/yd³)
 - : Not recommended

HYDRAULIC SYSTEM

The heart of the system is the EPOS™ (Electronic Power Optimizing System). It allows the efficiency of the system to be optimized for all working conditions and minimizes fuel consumption. The new EPOS™ is connected to the engine electronic control via a data transfer link to harmonize the operation of the engine and hydraulics.

- The hydraulic system enables independent or combined operations.
- Two travel speeds offer either increased torque or high speed tracking.
- Cross-sensing pump system for fuel savings.
- Auto deceleration system.
- Two operating modes, two power modes.
- Button control of flow in auxiliary equipment circuits.
- Computer-aided pump power control.

Main pumps
Tandem, Axial piston
max flow : 2 x 504 l/min @ 100 bar, 1,800 rpm
Displacement : 280 X 2 cc/rev

Pilot pump
Gear pump - max flow : 50.4 l/min
Pilot pump : 28 cc/rev

Main relief Pressure
Main Relief Valve Pressure : 350 bar (357 kgf/cm²)
Travel Crossover Relief Valve Pressure : 368 bar (375 kgf/cm²)
Swing Crossover Relief Valve Pressure : 294 bar (300 kgf/cm²)

HYDRAULIC CYLINDERS

The piston rods and cylinder bodies are made of high-strength steel. A shock absorbing mechanism is fitted in all cylinders to ensure shock-free operation and extend piston life.

Cylinders	Quantity	Bore x Rod diameter x stroke
Boom	2	190 X 125 X 1,795 mm
Arm	1	215 X 150 X 2,030 mm
Bucket	1	190 X 130 X 1,465 mm

UNDERCARRIAGE

Chassis are of very robust construction, all welded structures are designed to limit stresses. High-quality material used for durability. Lateral chassis welded and rigidly attached to the undercarriage. Track rollers lubricated for life, idlers and sprockets fitted with floating seals. Tracks shoes made of induction-hardened alloy with triple grousers. Heat-treated connecting pins. Hydraulic track adjuster with shock-absorbing tension mechanism.

Upper rollers(Standard shoe) - 3
Lower rollers - 8
Track shoes - 48
Overall track length - 4,750mm

SWING MECHANISM

High-torque, axial piston motor with planetary reduction gear bathed in oil. Swing circle is singlerow, shear type ball bearing with induction-hardened internal gear. Internal gear and pinion gear immersed in lubricant.

Max. Swing speed (Theoretical) - 7.5 rpm
Max. Swing speed (EFF. = 0.98 %) - 7.4 rpm
Max. Swing Torque (Theoretical) - 31,600 kgf.m (310 kN.m)
Max. Swing Torque (EFF. = 0.81 %) - 25,600 kgf.m (251 kN.m)

DRIVE

Each track is driven by an independent, high-torque, axial piston motor through planetary reduction gear. Two levers or foot pedal control provide smooth travel or counter-rotation upon demand.

Travel speed (High / low) - 4.9 / 2.9 km/h (EFF.=98%)
Maximum traction force - 54.4 / 33.1 ton (EFF.=77%)
Gradeability - 70%

REFILL CAPACITIES

Fuel tank - 880 l
Cooling system - 70.6 l
Engine oil - 60 l
Swing drive - 2 x 8 l
Final drive - 2 x 20 l
Hydraulic tank - 435 l

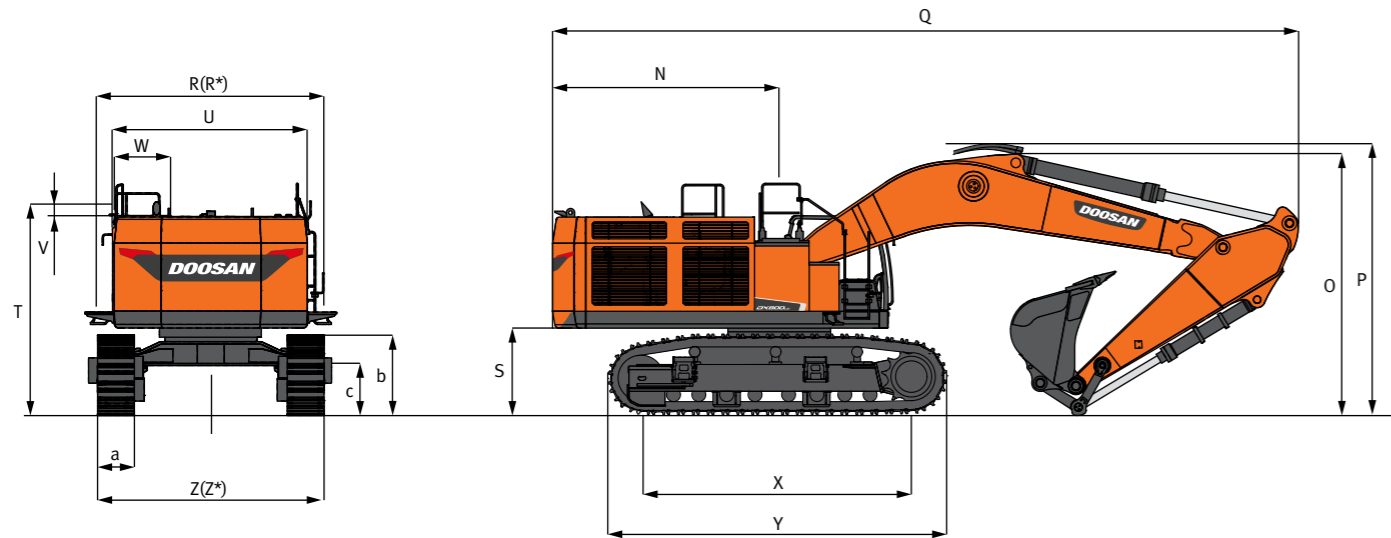
BUCKET DIGGING FORCES

Bucket Type	Capacity (m ³)	Width (mm)		Digging force (ton)
	SAE/PCSA	W/O Cutter	With Cutter	
H Class	3.42	1,720	1,720	7.7m/6.65m Boom [SAE] 32.2/35.7 [ISO] 36.0/39.8
	3.68	1,820	1,820	
	4.05	1,720	1,720	
	4.43	1,850	1,850	7.7m/6.65m Boom [SAE] 31.8/35.3 [ISO] 34.8/38.5
	4.64	1,920	1,920	
	5.24	1,910	1,910	
	5.58	2,010	2,010	7.7m/6.65m Boom [SAE] 33.9.8/37.7 [ISO] 36.5/40.5
S Class	3.75	1,620	N/A	7.7m/6.65m Boom [SAE] 31.8/35.3 [ISO] 34.8/38.6
	4.05	1,720	N/A	
	4.64	1,920	N/A	
X Class	5.24	1,910	N/A	7.7m/6.65m Boom [SAE] 33.9.8/37.6 [ISO] 36.5/40.5
	3.75	1,650	N/A	
	4.05	1,750	N/A	7.7m/6.65m Boom [SAE] 31.8/35.3 [ISO] 34.8/38.6
	4.64	1,950	N/A	
	5.24	1,940	N/A	7.7m/6.65m Boom [SAE] 33.9.8/37.6 [ISO] 36.5/40.5

ARM DIGGING FORCES

Arm	Length	Weight	Digging force (ton)
Standard	3,550 mm	2,655 kg	[SAE] 28.6, [ISO] 29.3
Short	2,900 mm	2,630 kg	[SAE] 32.8, [ISO] 33.6 (7.7m Boom) [SAE] 33.5, [ISO] 34.3 (6.65m Boom)
Short	2,600 mm	2,445 kg	[SAE] 35.6, [ISO] 36.6

DIMENSIONS

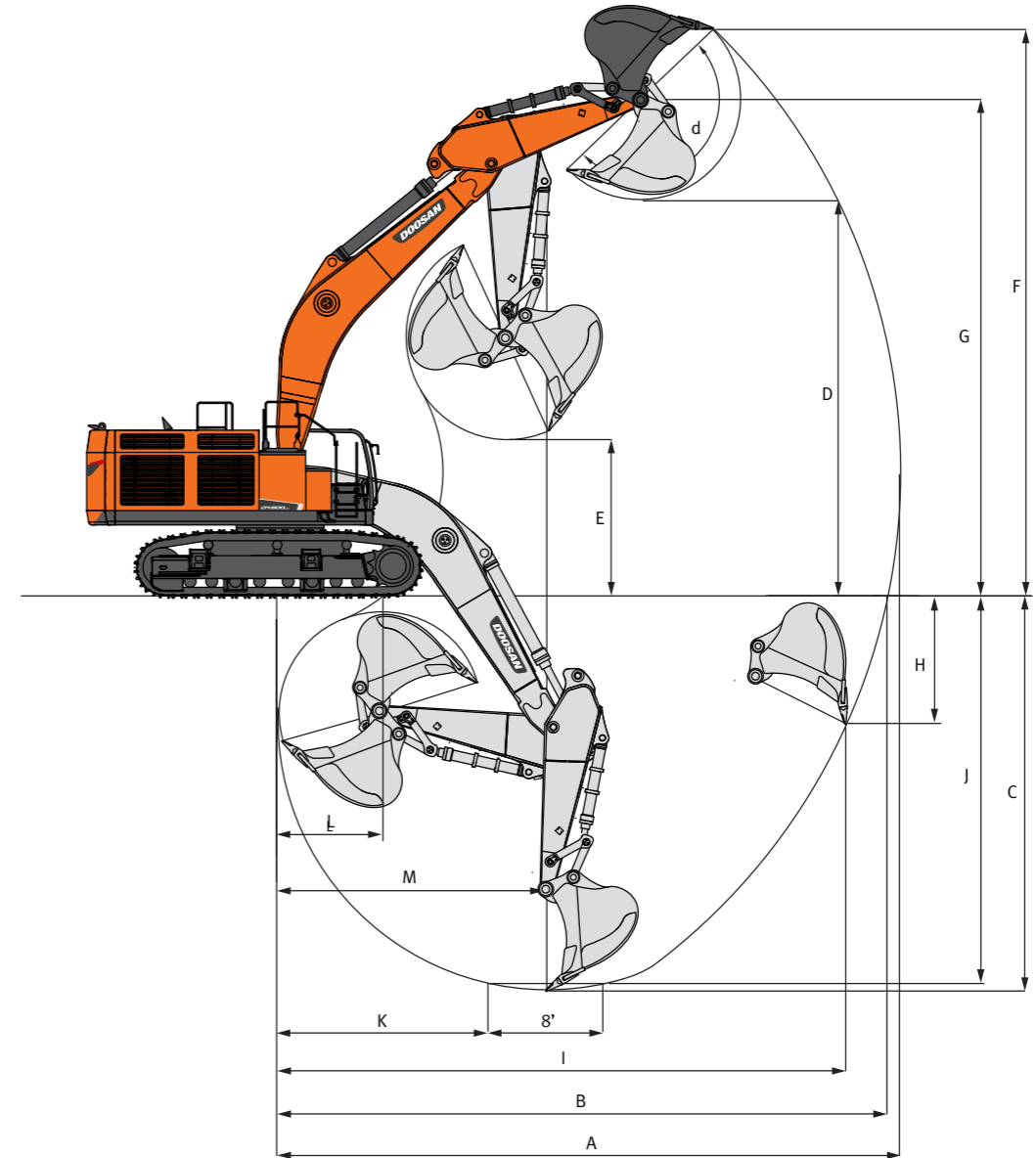


STANDARD

Boom Type	(mm)		7,700		6,650	
Arm Type	(mm)		3,550	2,900	2,900	2,600
Bucket Type (SAE/PCSA)	(m ³)		3.42	4.05	4.43	4.43
Tail Swing Radius	(mm)	N	4,010	←	←	←
Shipping Height (Boom)	(mm)	O	4,615	4,420	4,905	4,760
Shipping Height (Hose)	(mm)	P	4,865	4,690	5,125	4,990
Shipping Length	(mm)	Q	13,165	13,370	12,320	12,370
Shipping Width (Std.)	(mm)	R	3,560	←	←	←
Shipping Width (Narrow)	(mm)	R*	-	-	-	-
C/Weight Clearance	(mm)	S	1,540	←	←	←
Height Over Cab.	(mm)	T	3,530	←	←	←
House Width	(mm)	U	3,410	←	←	←
Cab. Height Above House	(mm)	V	25	←	←	←
Cab. Width	(mm)	W	1,010	←	←	←
Tumbler Distance	(mm)	X	4,730	←	←	←
Track Length	(mm)	Y	5,960	←	←	←
Undercarriage Width (Std.)	(mm)	Z	3,400 / 4,000*	←	←	←
Undercarriage Width (Narrow)	(mm)	Z*	-	-	-	-
Shoe Width	(mm)	a	650	←	←	←
Track Height**	(mm)	b	1,315	←	←	←
Car Body Clearance	(mm)	c	850	←	←	←

[NOTE] *: Retracted / Extended
 **: Without shoe grouser

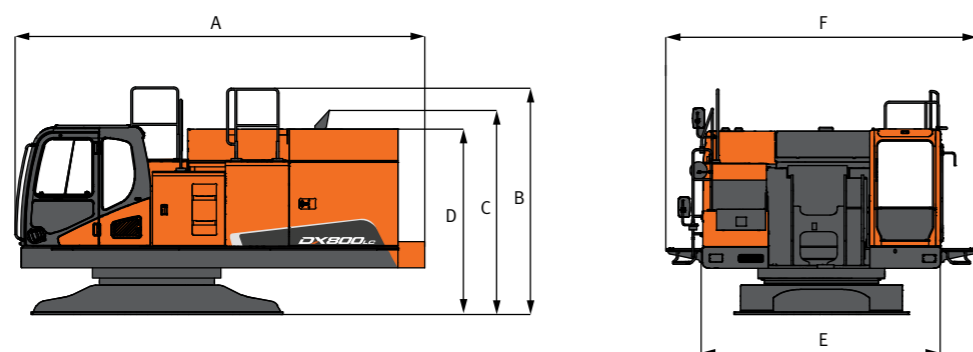
WORKING RANGES



WORKING RANGES

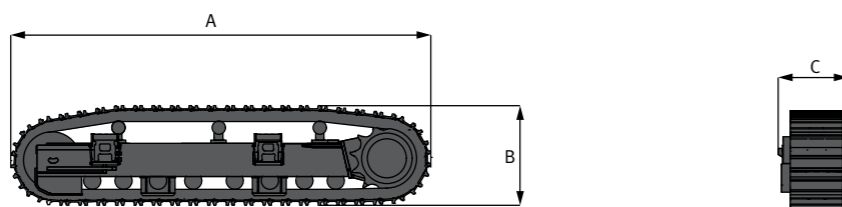
Boom Type	(mm)		7,700				6,650						
Arm Type	(mm)		3,550	2,900	2,900		2,600						
Bucket Type (SAE/PCSA)	(m ³)		3.42	3.68	4.05	4.43	4.64	5.24	5.58	4.43	4.64	5.24	5.58
Max. digging reach	(mm)	A	13,195	12,670	11,520	11,530	11,260	11,275					
Max. digging reach (ground)	(mm)	B	12,925	12,390	11,210	11,225	10,945	10,960					
Max. digging depth	(mm)	C	8,345	7,725	7,005	7,050	6,710	6,750					
Max. loading height	(mm)	D	8,405	8,245	7,115	7,075	7,040	6,995					
Min. loading height	(mm)	E	3,325	3,975	3,175	3,130	3,470	3,430					
Max. digging height	(mm)	F	12,120	11,910	10,625	10,465	10,570	10,410					
Max. bucket pin height	(mm)	G	10,525	10,390	9,260	9,260	9,180	9,180					
Max. vertical wall depth	(mm)	H	4,705	2,455	1,520	-145	1,420	-220					
Max. radius vertical	(mm)	I	10,935	11,590	10,735	11,255	10,495	11,010					
Max. depth 8' line	(mm)	J	8,205	7,565	6,845	6,900	6,535	6,585					
Min. radius 8' line	(mm)	K	4,490	4,495	3,720	3,720	3,720	3,720					
Min. digging reach	(mm)	L	2,285	2,990	1,920	1,840	2,120	2,045					
Min. swing radius	(mm)	M	5,730	5,775	5,240	5,240	5,200	5,200					
Bucket angle	(deg)	d	178	178	178	161	177	160					

TRANSPORTATION



UPPER STRUCTURE

Length	(mm)	A	5,802
Height (Top of Guardrail)	(mm)	B	3,217
Height (Top of Muffler)	(mm)	C	2,906
Height (Top of Cab)	(mm)	D	2,906
Width (Without Walkways)	(mm)	E	3,410
Width (With Walkways)	(mm)	F	4,450
Weight	(kg)		25,650



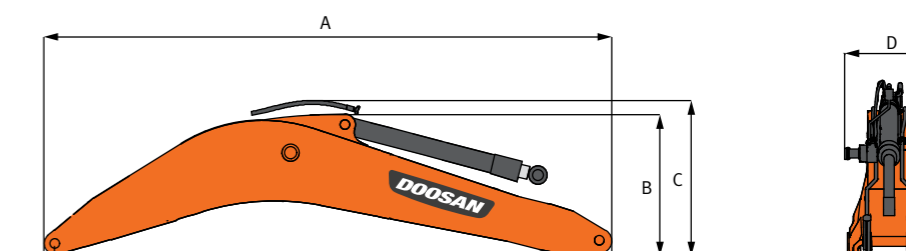
UNDERCARRIAGE

Length	(mm)	A	5,960
Height	(mm)	B	1,413
Width (With Steps)	(mm)	C	1,007
Weight	(kg)		11,780



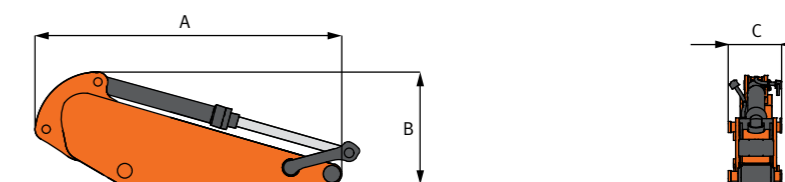
COUNTER WEIGHT

Width	(mm)	A	3,410
Length	(mm)	B	615
Height	(mm)	C	2,114
Weight	(kg)		10,720



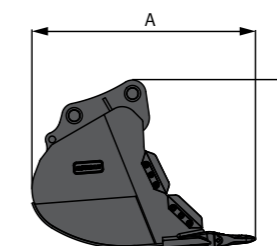
BOOM

Boom			7.7 m	6.65 m
Length	(mm)	A	8,024	6,976
Height (Top of Boom)	(mm)	B	1,979	2,323
Height (Top of Hoses)	(mm)	C	2,243	2,544
Width	(mm)	D	1,270	1,270
Weight	(kg)		7,280	6,975



ARM

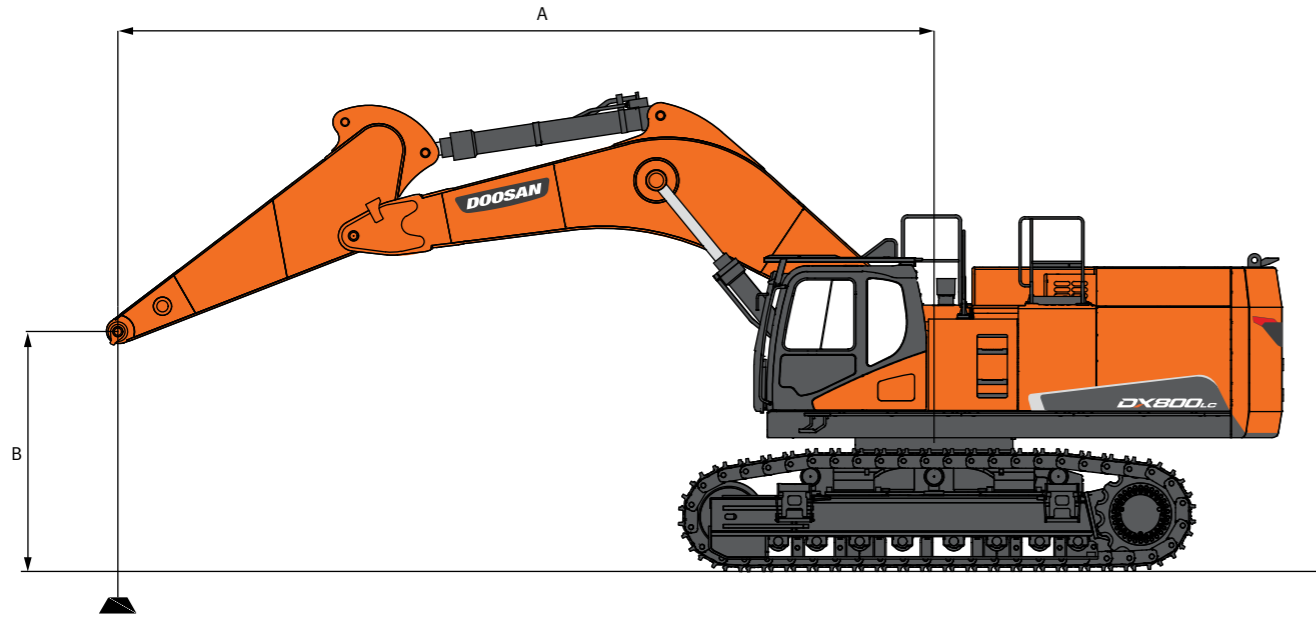
Arm			3.55 m	2.9 m	2.6 m
Length	(mm)	A	4,991	4,324	4,017
Height	(mm)	B	1,439	1,621	1,630
Width	(mm)	C	763	763	763
Weight	(kg)		4,130	3,975	3,840



BUCKET

Bucket			3.24 m ³	3.68 m ³	3.75 m ³	4.05 m ³	4.43 m ³	4.64 m ³	5.24 m ³
Length	(mm)	A	2,550		2,690		2,780		
Height	(mm)	B	2,010		2,150		2,260		

LIFTING CAPACITY



OPTION 6

Metric

Boom : 7,700 mm (25' 3") Arm : 2,900 mm (9' 5") Shoe : 650 mm (2' 1") Counter Weight : 10,700 kg (23,589 lb) Unit : 1,000kg

B(m)	3		4.5		6		7.5		9		10.5		Max. Reach		A(m)
	☺	☹	☺	☹	☺	☹	☺	☹	☺	☹	☺	☹	☺	☹	
9							16.17*	16.17*					15.97*	15.97*	8.35
7.5							16.55*	16.55*	15.39*	14.72			15.32*	13.8	9.32
6					21.04*	21.04*	17.65*	17.65*	15.69*	14.44			15.00*	12.15	9.97
4.5					23.85*	23.85*	19.06*	18.41	16.35*	14			14.85*	11.2	10.36
3							20.36*	17.59	17.02*	13.55	14.83*	10.77	14.79*	10.73	10.53
1.5							21.14*	16.99	17.43*	13.18			14.77*	10.66	10.47
0					26.61*	22.99	21.15*	16.66	17.32*	12.96			14.72*	10.99	10.19
-1.5					25.10*	23.01	20.25*	16.59	16.37*	12.94			14.53*	11.83	9.67
-3	28.71*	28.71*	26.83*	26.83*	22.38*	22.38*	18.12*	16.79					13.99*	13.49	8.87
-4.5			21.17*	21.17*	17.82*	17.82*	13.45*	13.45*					12.58*	12.58*	7.69

Unit : 1,000lb

B(ft)	10		15		20		25		30		35		Max. Reach		A(ft)
	☺	☹	☺	☹	☺	☹	☺	☹	☺	☹	☺	☹	☺	☹	
30							35.64*	35.64*					35.20*	35.20*	27.40
25							36.48*	36.48*	33.92*	32.45			33.77*	30.43	30.58
20					46.39*	46.39*	38.91*	38.91*	34.60*	31.84			33.06*	26.78	32.71
15					52.57*	52.57*	42.02*	40.58	36.05*	30.87			32.73*	24.69	34.00
10							44.88*	38.79	37.52*	29.86	32.69*	23.75	32.61*	23.66	34.53
5							46.60*	37.46	38.42*	29.05			32.57*	23.5	34.35
0					58.67*	50.68	46.63*	36.74	38.18*	28.57			32.45*	24.23	33.44
-5					55.33*	50.73	44.65*	36.58	36.09*	28.54			32.03*	26.09	31.73
-10	63.30*	63.30*	59.14*	59.14*	49.34*	49.34*	39.94*	37.02					30.84*	29.74	29.11
-15			46.66*	46.66*	39.28*	39.28*	29.64*	29.64*					27.73*	27.73*	25.24

1. Load point is the end of the arm.
2. Capacities marked with an asterisk (*) are limited by hydraulic capacities.
3. Lift capacities shown do not exceed 75 % of minimum tipping loads or 87 % of hydraulic capacities.
4. The least stable position is over the side.
5. Lift capacities apply only to the machine as originally manufactured and normally equipped by the manufacturer.
6. Lift capacities are in compliance with iso 10567.

☺ : Rating Over Front
☹ : Rating Over Side or 360 Degree

OPTION 7

Metric

Boom : 7,700 mm (25' 3") Arm : 2,900 mm (9' 5") Shoe : 750 mm (2' 5") Counter Weight : 10,700 kg (23,589 lb) Unit : 1,000kg

B(m)	3		4.5		6		7.5		9		10.5		Max. Reach		A(m)
	☺	☹	☺	☹	☺	☹	☺	☹	☺	☹	☺	☹	☺	☹	
9							16.17*	16.17*					15.97*	15.97*	8.35
7.5							16.55*	16.55*	15.39*	14.88			15.32*	13.96	9.32
6					21.04*	21.04*	17.65*	17.65*	15.69*	14.61			15.00*	12.29	9.97
4.5					23.85*	23.85*	19.06*	18.61	16.35*	14.17			14.85*	11.34	10.36
3							20.36*	17.8	17.02*	13.71	14.83*	10.91	14.79*	10.87	10.53
1.5							21.14*	17.2	17.43*	13.34			14.77*	10.79	10.47
0					26.61*	23.27	21.15*	16.87	17.32*	13.12			14.72*	11.13	10.19
-1.5					25.10*	23.29	20.25*	16.8	16.37*	13.11			14.53*	11.98	9.67
-3	28.71*	28.71*	26.83*	26.83*	22.38*	22.38*	18.12*	17					13.99*	13.66	8.87
-4.5			21.17*	21.17*	17.82*	17.82*	13.45*	13.45*					12.58*	12.58*	7.69

Unit : 1,000lb

B(ft)	10		15		20		25		30		35		Max. Reach		A(ft)
	☺	☹	☺	☹	☺	☹	☺	☹	☺	☹	☺	☹	☺	☹	
30							35.64*	35.64*					35.20*	35.20*	27.40
25							36.48*	36.48*	33.92*	32.81			33.77*	30.78	30.58
20					46.39*	46.39*	38.91*	38.91*	34.60*	32.21			33.06*	27.1	32.71
15					52.57*	52.57*	42.02*	41.03	36.05*	31.23			32.73*	24.99	34.00
10							44.88*	39.24	37.52*	30.22	32.69*	24.05	32.61*	23.96	34.53
5							46.60*	37.92	38.42*	29.41			32.57*	23.8	34.35
0					58.67*	51.3	46.63*	37.19	38.18*	28.93			32.45*	24.54	33.44
-5					55.33*	51.35	44.65*	37.04	36.09*	28.9			32.03*	26.42	31.73
-10	63.30*	63.30*	59.14*	59.14*	49.34*	49.34*	39.94*	37.47					30.84*	30.11	29.11
-15			46.66*	46.66*	39.28*	39.28*	29.64*	29.64*					27.73*	27.73*	25.24

1. Load point is the end of the arm.
2. Capacities marked with an asterisk (*) are limited by hydraulic capacities.
3. Lift capacities shown do not exceed 75 % of minimum tipping loads or 87 % of hydraulic capacities.
4. The least stable position is over the side.
5. Lift capacities apply only to the machine as originally manufactured and normally equipped by the manufacturer.
6. Lift capacities are in compliance with iso 10567.

☺ : Rating Over Front
☹ : Rating Over Side or 360 Degree

OPTION 8

Metric

Boom : 7,700 mm (25' 3") Arm : 2,900 mm (9' 5") Shoe : 900 mm (3') Counter Weight : 10,700 kg (23,589 lb) Unit : 1,000kg

B(m)	3		4.5		6		7.5		9		10.5		Max. Reach		A(m)
	☺	☹	☺	☹	☺	☹	☺	☹	☺	☹	☺	☹	☺	☹	
9							16.17*	16.17*					15.97*	15.97*	8.35
7.5							16.55*	16.55*	15.39*	15.01			15.32*	14.08	9.32
6					21.04*	21.04*	17.65*	17.65*	15.69*	14.73			15.00*	12.4	9.97
4.5					23.85*	23.85*	19.06*	18.77	16.35*	14.29			14.85*	11.44	10.36
3							20.36*	17.96	17.02*	13.83	14.83*	11.01	14.79*	10.97	10.53
1.5							21.14*	17.36	17.43*	13.46			14.77*	10.9	10.47
0					26.61*	23.48	21.15*	17.03	17.32*	13.25			14.72*	11.24	10.19
-1.5					25.10*	23.5	20.25*	16.96	16.37*	13.23			14.53*	12.1	9.67
-3	28.71*	28.71*	26.83*	26.83*	22.38*	22.38*	18.12*	17.15					13.99*	13.78	8.87
-4.5			21.17*	21.17*	17.82*	17.82*	13.45*	13.45*					12.58*	12.58*	7.69

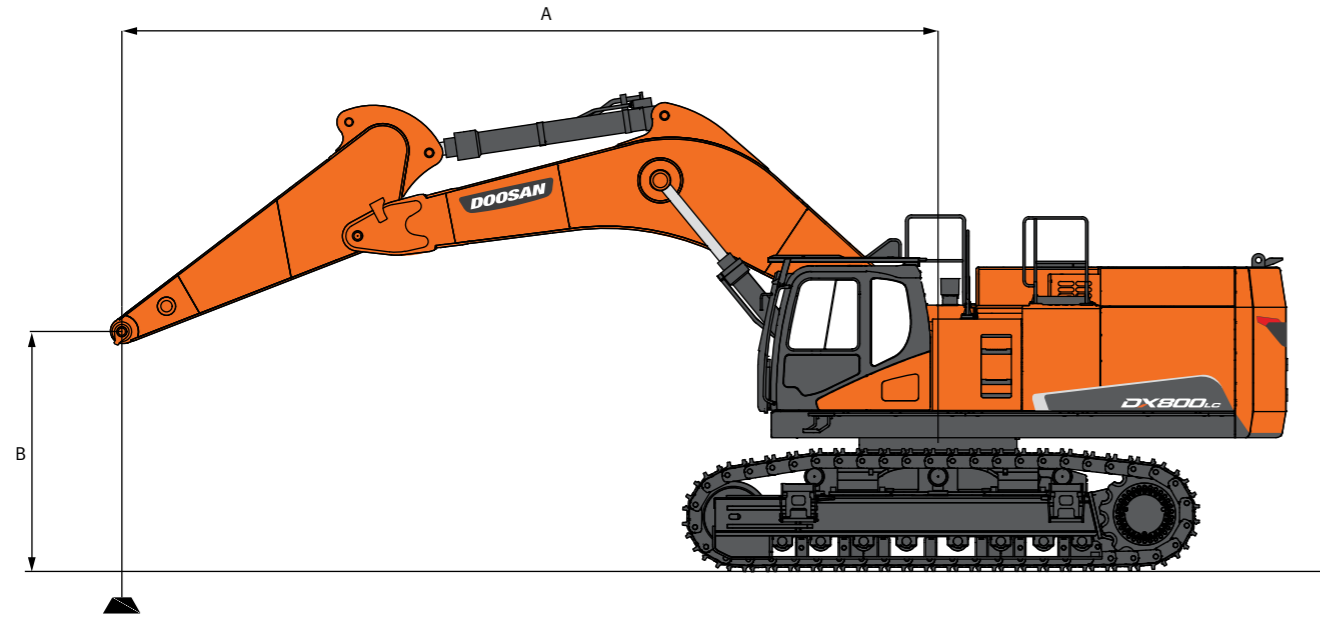
Unit : 1,000lb

B(ft)	10		15		20		25		30		35		Max. Reach		A(ft)
	☺	☹	☺	☹	☺	☹	☺	☹	☺	☹	☺	☹	☺	☹	
30							35.64*	35.64*					35.20*	35.20*	27.40
25							36.48*	36.48*	33.92*	33.09			33.77*	31.04	30.58
20					46.39*	46.39*	38.91*	38.91*	34.60*	32.48			33.06*	27.34	32.71
15					52.57*	52.57*	42.02*	41.38	36.05*	31.5			32.73*	25.22	34.00
10							44.88*	39.59	37.52*	30.5	32.69*	24.27	32.61*	24.18	34.53
5							46.60*	38.26	38.42*	29.68			32.57*	24.02	34.35
0					58.67*	51.77	46.63*	37.54	38.18*	29.21			32.45*	24.77	33.44
-5					55.33*	51.82	44.65*	37.39	36.09*	29.17			32.03*	26.67	31.73
-10	63.30*	63.30*	59.14*	59.14*	49.34*	49.34*	39.94*	37.82					30.84*	30.39	29.11
-15			46.66*	46.66*	39.28*	39.28*	29.64*	29.64*					27.73*	27.73*	25.24

1. Load point is the end of the arm.
2. Capacities marked with an asterisk (*) are limited by hydraulic capacities.
3. Lift capacities shown do not exceed 75 % of minimum tipping loads or 87 % of hydraulic capacities.
4. The least stable position is over the side.
5. Lift capacities apply only to the machine as originally manufactured and normally equipped by the manufacturer.
6. Lift capacities are in compliance with iso 10567.

☺ : Rating Over Front
☹ : Rating Over Side or 360 Degree

LIFTING CAPACITY



OPTION 10

Metric

Boom : 7,700 mm (25' 3") Arm : 3,550 mm (11' 6") Shoe : 750 mm (2' 5") Counter Weight : 10,700 kg (23,589 lb)

Unit : 1,000kg

B(m)	3		4.5		6		7.5		9		10.5		Max. Reach		A(m)						
	Rating Over Front	Rating Over Side or 360 Degree	Rating Over Front	Rating Over Side or 360 Degree	Rating Over Front	Rating Over Side or 360 Degree	Rating Over Front	Rating Over Side or 360 Degree	Rating Over Front	Rating Over Side or 360 Degree	Rating Over Front	Rating Over Side or 360 Degree	Rating Over Front	Rating Over Side or 360 Degree							
10.5														13.18*	13.18*	7.73					
9										12.49*	12.49*			12.18*	12.18*	9.03					
7.5										14.43*	14.43*			11.73*	11.73*	9.93					
6										16.75*	16.75*	14.87	12.25*	11.46	11.64*	11.38	10.54				
4.5										22.64*	22.64*	18.31*	18.31*	15.78*	14.39	14.19*	11.27	11.83*	10.56	10.91	
3										25.29*	25.04	19.82*	18.13	16.62*	13.89	14.53*	11.01	12.28*	10.14	11.07	
1.5										26.82*	23.97	20.89*	17.44	17.24*	13.47	14.73*	10.78	13.06*	10.05	11.01	
0										27.03*	23.45	21.26*	17	17.42*	13.17	14.52*	10.64	14.01*	10.31	10.75	
-1.5										30.83*	30.83*	26.05*	23.31	20.78*	16.82	16.92*	13.06		13.99*	10.99	10.26
-3	29.91*	29.91*	29.76*	29.76*	23.90*	23.47	23.90*	23.47	19.23*	16.89	15.27*	13.17						13.76*	12.3	9.51	
-4.5	29.28*	29.28*	24.71*	24.71*	20.20*	20.20*	15.99*	15.99*										13.01*	13.01*	8.42	
-6			16.88*	16.88*	13.59*	13.59*												10.81*	10.81*	6.84	

Feet

Unit : 1,000lb

B(ft)	10		15		20		25		30		35		Max. Reach		A(ft)						
	Rating Over Front	Rating Over Side or 360 Degree	Rating Over Front	Rating Over Side or 360 Degree	Rating Over Front	Rating Over Side or 360 Degree	Rating Over Front	Rating Over Side or 360 Degree	Rating Over Front	Rating Over Side or 360 Degree	Rating Over Front	Rating Over Side or 360 Degree	Rating Over Front	Rating Over Side or 360 Degree							
35														29.05*	29.05*	25.38					
30										27.54*	27.54*			26.84*	26.84*	29.63					
25										31.81*	31.81*			25.87*	25.87*	32.59					
20										36.93*	36.93*	33.00*	32.77	27.01*	25.27	25.66*	25.08	25.08	34.59		
15										49.91*	49.91*	40.37*	40.37*	34.80*	31.72	31.28*	24.84	26.07*	23.27	35.81	
10										55.75*	55.21	43.69*	39.96	36.65*	30.63	32.04*	24.28	27.08*	22.35	36.31	
5										59.13*	52.85	46.06*	38.44	38.01*	29.69	32.48*	23.77	28.79*	22.16	36.13	
0										59.59*	51.69	46.88*	37.48	38.40*	29.04	32.01*	23.46	30.90*	22.73	35.27	
-5										67.96*	67.96*	57.44*	51.4	45.81*	37.09	37.29*	28.79		30.84*	24.22	33.66
-10	65.94*	65.94*	65.60*	65.60*	52.70*	51.75	52.70*	51.75	42.39*	37.24	33.67*	29.04						30.33*	27.13	31.19	
-15	64.55*	64.55*	54.47*	54.47*	44.52*	44.52*	35.26*	35.26*										28.67*	28.67*	27.63	
-20			37.21*	37.21*	29.97*	29.97*												23.83*	23.83*	22.44	

- Load point is the end of the arm.
- Capacities marked with an asterisk (*) are limited by hydraulic capacities.
- Lift capacities shown do not exceed 75 % of minimum tipping loads or 87 % of hydraulic capacities.
- The least stable position is over the side.
- Lift capacities apply only to the machine as originally manufactured and normally equipped by the manufacturer.
- Lift capacities are in compliance with iso 10567.

Rating Over Front
Rating Over Side or 360 Degree

OPTION 9

Metric

Boom : 7,700 mm (25' 3") Arm : 3,550 mm (11' 6") Shoe : 650 mm (2' 1") Counter Weight : 10,700 kg (23,589 lb)

Unit : 1,000kg

B(m)	3		4.5		6		7.5		9		10.5		Max. Reach		A(m)						
	Rating Over Front	Rating Over Side or 360 Degree	Rating Over Front	Rating Over Side or 360 Degree	Rating Over Front	Rating Over Side or 360 Degree	Rating Over Front	Rating Over Side or 360 Degree	Rating Over Front	Rating Over Side or 360 Degree	Rating Over Front	Rating Over Side or 360 Degree	Rating Over Front	Rating Over Side or 360 Degree							
10.5														13.18*	13.18*	7.73					
9										12.49*	12.49*			12.18*	12.18*	9.03					
7.5										14.43*	14.43*			11.73*	11.73*	9.93					
6										16.75*	16.75*	14.7	12.25*	11.33	11.64*	11.24	10.54				
4.5										22.64*	22.64*	18.31*	18.31*	15.78*	14.23	14.19*	11.13	11.83*	10.43	10.91	
3										25.29*	24.76	19.82*	17.92	16.62*	13.73	14.53*	10.88	12.28*	10.01	11.07	
1.5										26.82*	23.69	20.89*	17.23	17.24*	13.3	14.73*	10.65	13.06*	9.93	11.01	
0										27.03*	23.17	21.26*	16.79	17.42*	13.01	14.52*	10.51	14.01*	10.18	10.75	
-1.5										30.83*	30.83*	26.05*	23.03	20.78*	16.61	16.92*	12.9		13.99*	10.85	10.26
-3	29.91*	29.91*	29.76*	29.76*	23.90*	23.47	23.90*	23.47	19.23*	16.89	15.27*	13.01						13.76*	12.15	9.51	
-4.5	29.28*	29.28*	24.71*	24.71*	20.20*	20.20*	15.99*	15.99*										13.01*	13.01*	8.42	
-6			16.88*	16.88*	13.59*	13.59*												10.81*	10.81*	6.84	

Feet

Unit : 1,000lb

B(ft)	10		15		20		25		30		35		Max. Reach		A(ft)						
	Rating Over Front	Rating Over Side or 360 Degree	Rating Over Front	Rating Over Side or 360 Degree	Rating Over Front	Rating Over Side or 360 Degree	Rating Over Front	Rating Over Side or 360 Degree	Rating Over Front	Rating Over Side or 360 Degree	Rating Over Front	Rating Over Side or 360 Degree	Rating Over Front	Rating Over Side or 360 Degree							
35														29.05*	29.05*	25.38					
30										27.54*	27.54*			26.84*	26.84*	29.63					
25										31.81*	31.81*			25.87*	25.87*	32.59					
20										36.93*	36.93*	33.00*	32.41	27.01*	24.97	25.66*	24.78	25.66*	25.08	34.59	
15										49.91*	49.91*	40.37*	40.37*	34.80*	31.36	31.28*	24.55	26.07*	22.99	35.81	
10										55.75*	54.59	43.69*	39.51	36.65*	30.26	32.04*	23.98	27.08*	22.07	36.31	
5										59.13*	52.23	46.06*	37.98	38.01*	29.32	32.48*	23.47	28.79*	21.88	36.13	
0										59.59*	51.07	46.88*	37.02	38.40*	28.68	32.01*	23.16	30.90*	22.44	35.27	
-5										67.96*	67.96*	57.44*	50.78	45.81*	36.63	37.29*	28.43		30.84*	23.91	33.66
-10	65.94*	65.94*	65.60*	65.60*	52.70*	51.13	52.70*	51.13	42.39*	36.79	33.67*	28.67						30.33*	26.79	31.19	
-15	64.55*	64.55*	54.47*	54.47*	44.52*	44.52*	35.26*	35.26*										28.67*	28.67*	27.63	
-20			37.21*	37.21*	29.97*	29.97*												23.83*	23.83*	22.44	

- Load point is the end of the arm.
- Capacities marked with an asterisk (*) are limited by hydraulic capacities.
- Lift capacities shown do not exceed 75 % of minimum tipping loads or 87 % of hydraulic capacities.
- The least stable position is over the side.
- Lift capacities apply only to the machine as originally manufactured and normally equipped by the manufacturer.
- Lift capacities are in compliance with iso 10567.

Rating Over Front
Rating Over Side or 360 Degree

OPTION 11

Metric

Boom : 7,700 mm (25' 3") Arm : 3,550 mm (11' 6") Shoe : 900 mm (3') Counter Weight : 10,700 kg (23,589 lb)

Unit : 1,000kg

B(m)	3		4.5		6		7.5		9		10.5		Max. Reach		A(m)						
	Rating Over Front	Rating Over Side or 360 Degree	Rating Over Front	Rating Over Side or 360 Degree	Rating Over Front	Rating Over Side or 360 Degree	Rating Over Front	Rating Over Side or 360 Degree	Rating Over Front	Rating Over Side or 360 Degree	Rating Over Front	Rating Over Side or 360 Degree	Rating Over Front	Rating Over Side or 360 Degree							
10.5														13.18*	13.18*	7.73					
9										12.49*	12.49*			12.18*	12.18*	9.03					
7.5										14.43*	14.43*			11.73*	11.73*	9.93					
6										16.75*	16.75*	14.97*	14.97*	12.25*	11.56	11.64*	11.48	10.54			
4.5										22.64*	22.64*	18.31*	18.31*	15.78*	14.51	14.19*	11.37	11.83*	10.65	10.91	
3										25.29*	25.25	19.82*	18.28	16.62*	14.02	14.53*	11.11	12.28*	10.23	11.07	
1.5										26.82*	24.19	20.89*	17.59	17.24*	13.59	14.73*	10.88	13.06*	10.15	11.01	
0										27.03*	23.66	21.26*	17.16	17.42*	13.3	14.52*	10.74	14.01*	10.41	10.75	
-1.5										30.83*	30.83*	26.05*	23.53	20.78*	16.98	16.92*	13.18		13.99*	11.09	10.26
-3	29.91*	29.91*	29.76*	29.76*	23.90*	23.47	23.90*	23.47	19.23*	16.98	15.27*	13.29						13.76*	12.42	9.51	
-4.5	29.28*	29.28*	24.71*	24.71*	20.20*	20.20*	15.99*	15.99*										13.01*	13.01*	8.42	
-6			16.88*	16.88*	13.59*	13.59*												10.81*	10.81*	6.84	

Feet

Unit : 1,000lb

B(ft)	10		15		20		25		30		35		Max. Reach		A(ft)	
	Rating Over Front	Rating Over Side or 360 Degree	Rating Over Front	Rating Over Side or 360 Degree	Rating Over Front	Rating Over Side or 360 Degree	Rating Over Front	Rating Over Side or 360 Degree	Rating Over Front	Rating Over Side or 360 Degree	Rating Over Front	Rating Over Side or 360 Degree	Rating Over Front	Rating Over Side or 360 Degree		
35														29.05*	29.05*	25.38
30										27.54*	27.54*			26.84*	26.84*	29.63
25										31.81*	31.81*			25.87*	25.87*	32.59

STANDARD & OPTION

STANDARD EQUIPMENT

Hydraulic system

- Boom and arm flow regeneration
- Boom and arm holding valves
- Swing anti-rebound valves
- Spare ports (Control valve)

Cabin & Interior

- Viscous cab mounts
- All weather sound suppressed type cab
- Air conditioner & Heater
- Adjustable suspension seat with head rest and adjustable arm rest
- Pull-up type front window and removable lower front window
- Room light
- Intermittent windshield wiper
- Cigarette lighter and ashtray
- Cup holder
- Hot & Cool box
- LCD color monitor panel
- E/G RPM control dial
- AM/FM radio + MP3 (USB)
- Remote radio ON/OFF switch
- 12V spare powers socket
- Serial communication port for laptop PC interface
- Joystick lever with 3 switches
- Sun visor
- Sun roof

Safety

- Large handrails and step
- Convex metal anti-slip plates
- Seat belt
- Hydraulic safety lock lever
- Safety glass
- Hammer for emergency escape
- Right and left rearview mirrors
- Battery protector cover

Others

- Double element air cleaner with two stage filtration
- Water separator
- Fuel filter
- Dust screen for radiator/oil cooler
- Engine overheat prevention system
- Engine restart prevention system
- Self-diagnostic system
- Alternator (24 V, 115 A)
- Electric horn
- LED working lights (boom mounted 2, frame mounted 2, storage box mounted 1)
- Hydraulic track adjuster
- Track guards
- Greased and sealed track link
- Hydraulic oil tank air breather filter

OPTIONAL EQUIPMENT

Some of optional equipments may be standard in some markets. Some of this optional equipment is not available in some markets. You must check with the local DOOSAN dealer to know about the availability or to release the adaptation following the needs of the applications

Arm

- 2.6 m Arm
- 2.9 m Arm
- 3.55 m Arm

Boom Cylinder

- Mono Boom Cylinder

Boom

- 6.6 m Boom
- 7.7 m Boom

Bucket (SAE/PSCA)

- 3.42 m³ H Class Bucket
- 3.68 m³ H Class Bucket
- 3.75 m³ S Class Bucket
- 3.75 m³ X Class Bucket
- 4.05 m³ H Class Bucket
- 4.05 m³ S Class Bucket
- 4.05 m³ X Class Bucket
- 4.43 m³ H Class Bucket
- 4.64 m³ H Class Bucket
- 4.64 m³ S Class Bucket
- 4.64 m³ X Class Bucket
- 5.24 m³ H Class Bucket
- 5.24 m³ S Class Bucket
- 5.24 m³ X Class Bucket
- 5.58 m³ H Class Bucket
- Only Dummy Link No Bucket

Boom Cylinder Guard

- Boom Cylinder Guard

Bucket Cylinder Guard

- Bucket Cylinder Guard

Track Guard

- 650 mm Double Grouser Shoe
- 750 mm Double Grouser Shoe
- 900 mm Double for Grouser Shoe

Breaker Filter

- Breaker Filter

Hydraulic Oil

- Cold Weather (VG32)
- Normal Weather (VG46)
- Tropical Weather (VG68)

Lever Pattern Change

- Lever Pattern Change

One & Two Way Front Piping

- One & Two Way Front Piping

Rotating Piping(PERO)

- Rotating Piping(PERO)

One & Two Way Piping

- Mono Two Way with Pedal
- Mono Two Way without Pedal
- Mono One Way with Electric Ped
- Mono One Way

Quick Coupler Piping

- Quick Coupler Piping

Straight Travel

- Straight Travel

Two Pumps & Piping

- Two Pumps

Audio Equipment

- Radio+MP3(Stereo)

Rain Shield

- Rain Shield

Alarm

- Alarm for Travel and Swing

Camera

- Around View Camera
- Rear View Camera

Cabin Front Guard

- Upper and Lower Guard
- Lower Guard Only

Under Cover

- Heavy Duty Under Cover
- Standard Under Cover

FOGS Guard

- FOGS
- Top Guard

Additional Work Lamp

- 2 Additional Working Lamp(LED)
- 6 Additional Working Lamp(LED)

Lower Wiper

- Lower Wiper

Overload Warning Device

- Overload Warning Device

Rotating Beacon

- Rotating Beacon

Cabin Roof Cover

- Plastic Roof Cover
- Steel Roof Cover

Water Separator With Heater

- Water Separator with Heater
- Water Separator without Heater

Engine Coolant Heater

- Engine Coolant Heater with Additional Fuel Tank

Telematics

- 1.5 Global Dual (SAT+Cell)
- 2.0 CHINA (Cell only)
- 2.0 Global (Cell only)
- 2.0 Global Dual(SAT+Cell)

Air Compressor

- Air Compressor

Auto Greasing Unit

- Auto Greasing Unit

Additional Mirror

- Additional Mirror

Fuel Filler Pump

- Fuel Filler Pump

Lamp For Cabin Guard

- Guard Lamp

Mirror

- Side Mirror

*Above option list could be changed without notice

Doosan is

Since 1896, Doosan, the oldest company in Korea, has evolved with its people. The company grew up rapidly for last 10 years with reputation. For human-oriented vision, Doosan has been building constructions, energy, machines, infra structures globally. As a global leader of infra structure, Doosan continues its vision to make human-oriented future.

First in Korea, Doosan self-developed excavators in 1985 and continued building versatile construction machines including excavators, wheel loaders, articulated dump trucks to execute its human-oriented philosophy. Doosan became a global leader of heavy construction machine industry by achieving global sales line, producing line, and distribution line. Along with large production bases in Korea, China, USA, Czech, Brazil, Doosan has 1400 dealer networks and Doosan is providing reliable products and trusted solutions for your stable business at no risk.



Doosan Infracore Korea Office (HQ)
27F, Doosan Tower, 275, Jangchungdan-ro,
Jung-gu, Seoul, Korea(04563)
www.doosaninfracore.com/ce/

Copyright 2017. Doosan Infracore. All rights reserved.