

ECP56CX-5

Five-section RZ-FOLD



ECP56CX-5

Five-section RZ-FOLD

TOTAL WEIGHT= 94,500 lbs (42,865kg)



Based on Model MACK MRU 613 with 2116 pump cell. Dimensions will vary with different truck makes, models and specifications. Weights are approximate and include pump, boom, truck, driver and some fuel. Varies with options selected.

BOOM SPECIFICATION

Folding type	5-section RZ-folding
Max. vertical reach	182' (55.5m)
Max. horizontal reach	168' (51.2m)
Max. depth reach	131'7" (40.1m) (incl. End hose 3m)
Unfolding height	40' (12.2m)
Slewing angle	360deg.
End hose length	10' (3m)
Delivery pipe dia.	5" (125mm)

PUMP SPECIFICATION

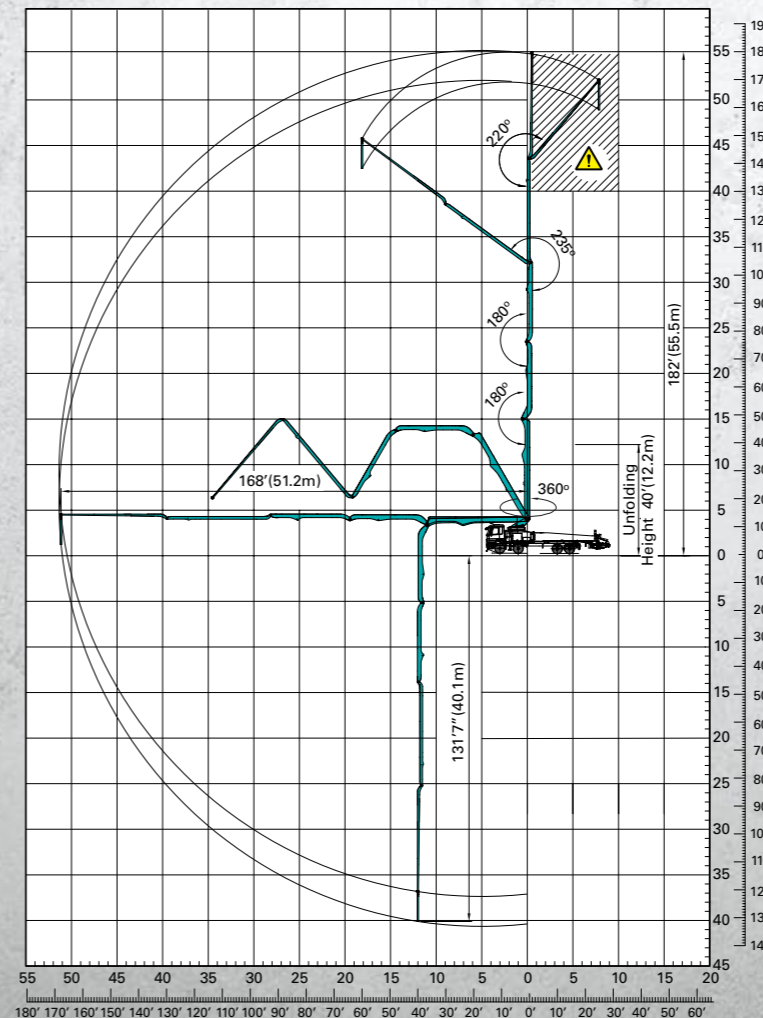
Pump cell	2116	2118
Control system	Closed Free Flow Hydraulic	
Main pump	A4VG125x2	A4VG180x2
Concrete cylinder	9"x83" (230x2,100mm)	
Strokes No.(per min.)	30	35
Concrete output*	210yd ³ /hr (160m ³ /h)	235yd ³ /hr (180m ³ /h)
Concrete pressure*	1,233psi (85bar)	
Transfer tube type	S-Tube, S2318 (Dia. 230-180mm)	
Volume of hopper	158gal (600L)	

*Rod side. Output & pressure are theoretical data.

FEATURE

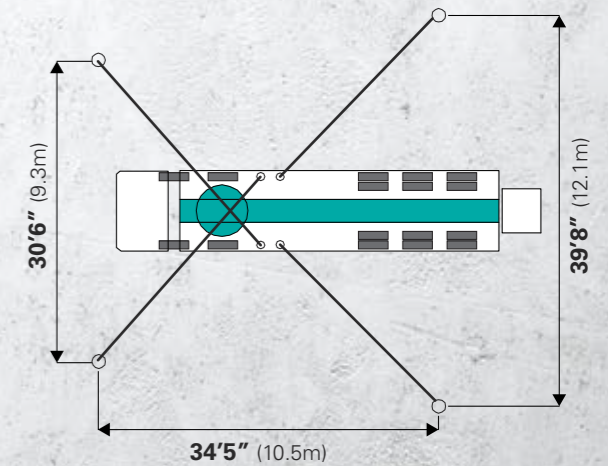
Inductive proximity switch with indicator	Flushing water pump(30bar)	Twin wall pipe
Single lip concrete piston	Auto lubrication system for hopper	Working light on boom
Hard-chromed concrete cylinders	Tungsten carbide for wear ring and plate	Safety(OSS) system
Greasing port on boom link and pedestal	Flap elbow(180-150mm) with cleaning port	Safety device for hopper
Working light on pedestal	Agitator motors on both side hopper	Auxiliary fuel tank on one side rear outrigger
Aluminum platform(non-skid)	Working light on hopper	

WORKING RANGE



⚠ Don't use in caution area

OUTRIGGER SPREAD



Front outrigger type X(Diagonal) Extension
Rear outrigger type Swing-out



EVERDIGM HEAD OFFICE

49, Buyeong-gil, Jincheon-eup, Jincheon-gun, Chungcheongbuk-do, Korea
Tel +82-43-530-3300 Fax +82-43-530-3429

EVERDIGM AMERICA

655 West Lytell Street, Metter, Georgia 30439, USA
E-mail: everdigmamerica@everdigm.com
Tel +1-912-685-5099

*EVERDIGM reserves the right to make changes to specifications and supply scope. Specifications and supply scope are subject to change without prior notice.